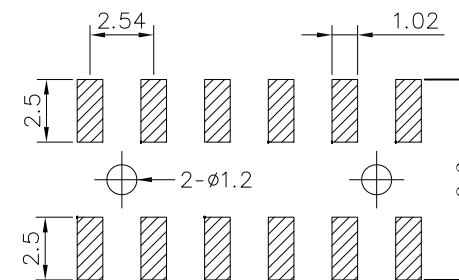
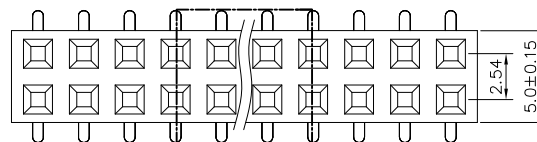




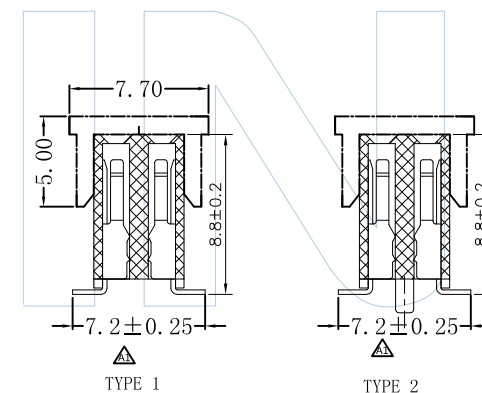
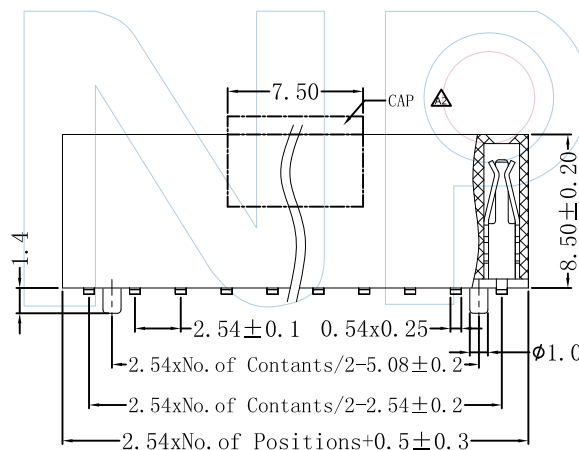
Recommended P.C.B Layout (TOP Side)
(PCB BOARD TOLERANCE ± 0.05)



PART NUMBER CODING

FHFM85- 2 XX XX X U X X

- No.of Pins Row:02-40Pin
- Contact Plating
G0:Gold Flash
G1:3U*Gold
G2:5U*Gold
G3:10U*Gold
G4:15U*Gold
G5:20U*Gold
G6:30U*Gold
S0:Gold Flash/Tin
S1:3U*Gold/Tin
S2:5U*Gold/Tin
S3:10U*Gold/Tin
S4:15U*Gold/Tin
S5:20U*Gold/Tin
S6:30U*Gold/Tin
SN:Tin
- Insulator Material/Colour
B:PA9T/Black
C:PA6T/Black
- Packing
T=Tube
P=Tube+Cap
R=Tape&Reel+Cap
- TYPE
1:TYPE 1(Brass)
2:TYPE 2(Brass)



Tel:+86 769 82581808 FAX:+86 769 81766192
E-Mail:sales@winpin.net Http:www.winpin.net

NOTES:
Current Rating:3.0AMP
Contact Resistance:20mΩ Max
Insulation Resistance:1000MΩ Min
Withstand Voltage:500V AC/Minute
Operation Temperature:-40°C to +105°C

Contact Material:Brass
Contact Plating:Au over Ni
Insulator Material:Polyester (UL94V-0)
Standard:PA9T/PA6T Black

UNLESS OTHERWISE SPECIFIED DIMENSIONS ARE IN METRIC
TOLERANCES ARE:
DECIMALS Angle
X.X:±0.40 ± 3°
X.XX:±0.25
X.XXX:±0.15

| | |
|-------|-----|
| SCALE | 1:1 |
| UNIT | MM |
| PROJ. | |
| SHEET | |

| | | | | | |
|-----|------------|-------------------------|--------|--------|---------|
| A2 | 2021/10/20 | 新加CAP夹持盖 | Andy | | Andy |
| A1 | 2021/08/03 | 脚宽7.1改为7.2 | GF.He | | Andy |
| A0 | 2015/06/25 | NEW | Hua.ZT | | Hua.ZT |
| REV | DATE | MODIFICATION DESCRIPTIO | DRAW | CHANGE | APPROVE |

PART NO: FHFM85-2XXXXXUXX

TITLE: FH2.54mm Dual Row SMT H=8.5mm 脚宽7.2