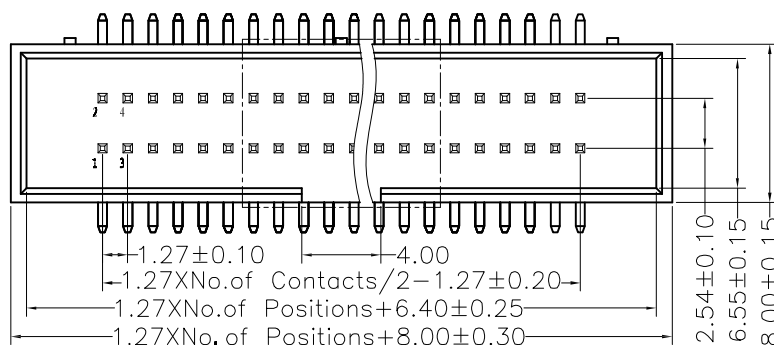
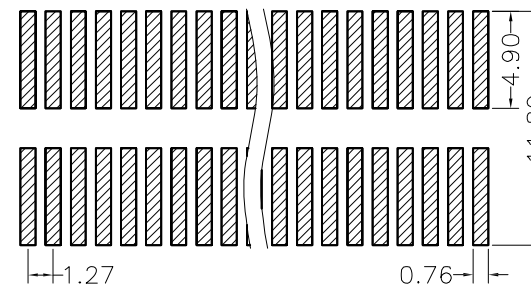


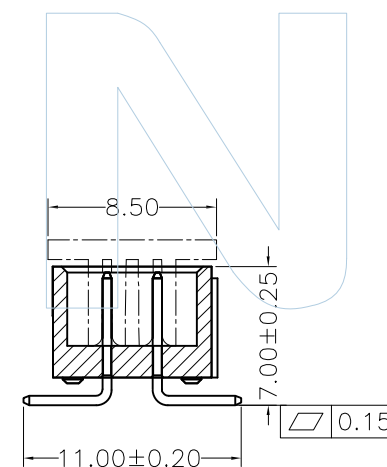
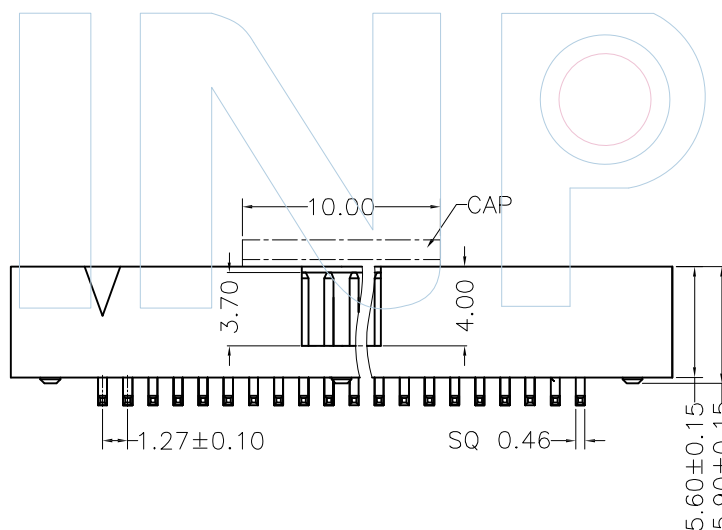
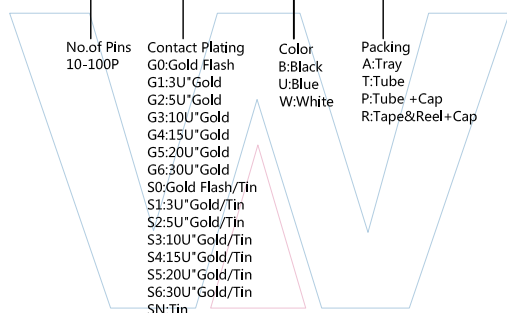


Recommended P.C.B Layout (Top Side)
(PCB BOARD TOLERANCE ±0.05)



PART NUMBER CODING

BHDM01- XX XX 1 X X 1



Tel:+86 769 82581808 FAX:+86 769 81766192
E-Mail:sales@winpin.net Http:www.winpin.net

PART NO: BHDM01-XXXX1XX1

TITLE: 1.27*2.54 BOX HEADER SMT H=5.9

NOTES:
Current Rating:1AMP
Withstand Voltage:500V AC/DC
Contact Resistance:30mΩ Max
Insulation Resistance:1000MΩ Min
Operation Temperature:-40°C to +105°C

Contact Material:Brass
Contact Plating:Au or Sn over Ni
Insulator Material:PA6T+30%GF(UL94V-0)

UNLESS OTHERWISE SPECIFIED DIMENSIONS ARE IN METRIC TOLERANCES ARE:
DECIMALS Angle
X.X:±0.40 ± 3°
X.XX:±0.25
X.XXX:±0.15

SCALE	1:1
UNIT	MM
PROJ.	
SHEET	

A0	2015/06/25	NEW	Hua.ZT		Hua.ZT
REV	DATE	MODIFICATION DESCRIPTIO	DRAW	CHANGE	APPROVE