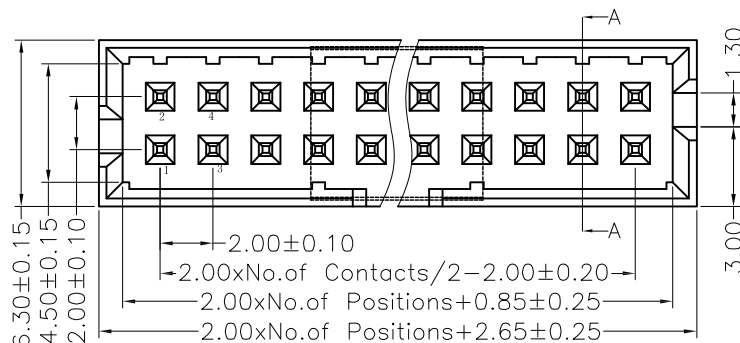
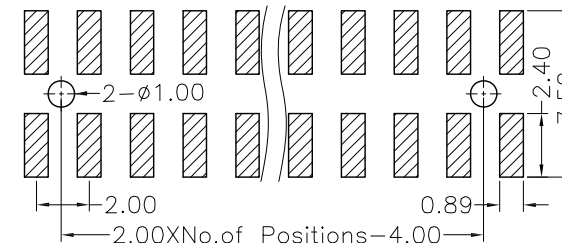




Recommended P.C.B Layout(Top Side)  
(PCB BOARD TOLERANCE±0.05)



PART NUMBER CODING

BHEM06- XX XX 1 X X X

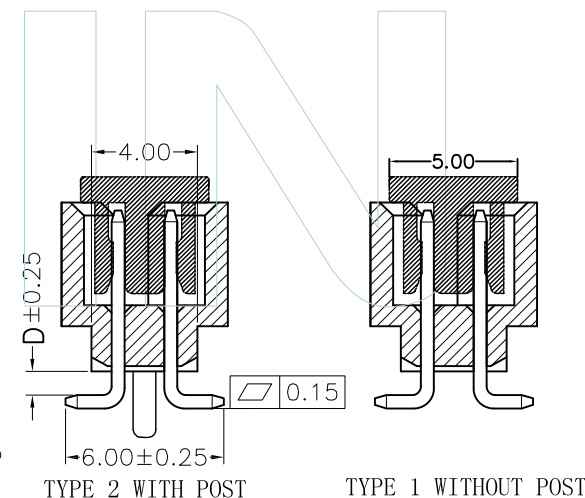
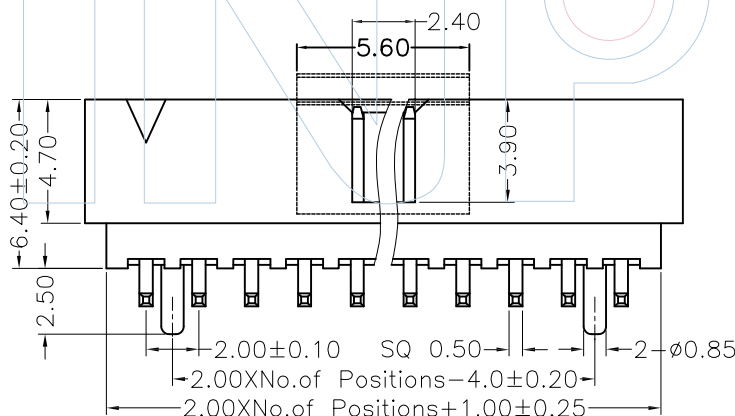
No.of Pins  
10-60P

Contact Plating  
G0:Gold Flash  
G1:3U"Gold  
G2:5U"Gold  
G3:10U"Gold  
G4:15U"Gold  
G5:20U"Gold  
G6:30U"Gold  
S0:Gold Flash/Tin  
S1:3U"Gold/Tin  
S2:5U"Gold/Tin  
S3:10U"Gold/Tin  
S4:15U"Gold/Tin  
S5:20U"Gold/Tin  
S6:30U"Gold/Tin  
SN:Tin

Color  
B:Black  
U:Blue  
W:White

Packing  
A:Tray  
T:Tube  
P:Tube+CAP  
R:Tape&Reel+CAP

1=TYPE1 D=0.90  
2=TYPE2 D=0.90  
3=TYPE1 D=0  
4=TYPE2 D=0



SECTION A-A



Tel:+86 769 82581808 FAX:+86 769 81766192  
E-Mail:sales@winpin.net Http://www.winpin.net

PART NO: BHEM06-XXXX1XXX

TITLE: 2.00 BOX HEADER SMT H=6.4 无窗口

NOTES:  
Current Rating:1.5AMP  
Withstand Voltage:500V AC/DC  
Contact Resistance:20m $\Omega$  Max  
Insulation Resistance:1000M $\Omega$  Min  
Operation Temperature:-40°C to +105°C

Contact Material:Brass  
Contact Plating:Au or Sn over Ni  
Insulator Material:PA6T+30%GF(UL94V-0)

UNLESS OTHERWISE SPECIFIED DIMENSIONS ARE IN METRIC TOLERANCES ARE:  
DECIMALS Angle  
X.X:±0.40 ± 3°  
X.XX:±0.25  
X.XXX:±0.15

SCALE 1:1  
UNIT MM  
PROJ.   
SHEET

A2	2019/12/06	add DIM D=0	Jason.Huang	Jason.Huang	
A1	2018/12/03	add cap	Hua.ZT	Brian	
A0	2015/06/25	NEW	Hua.ZT	Hua.ZT	
REV	DATE	MODIFICATION DESCRIPTIO	DRAW	CHANGE	APPROVE