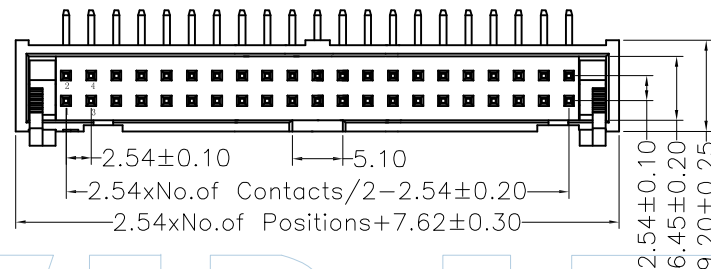
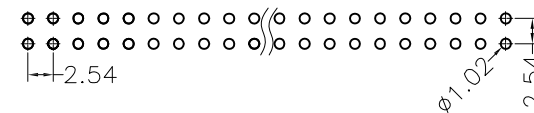




Recommended P.C.B Layout(Top Side)
(PCB BOARD TOLERANCE±0.05)

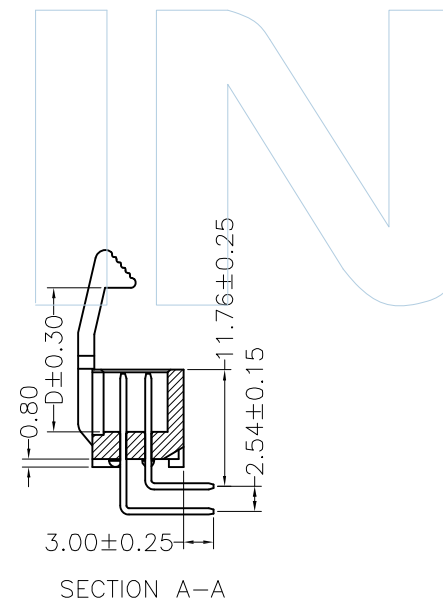
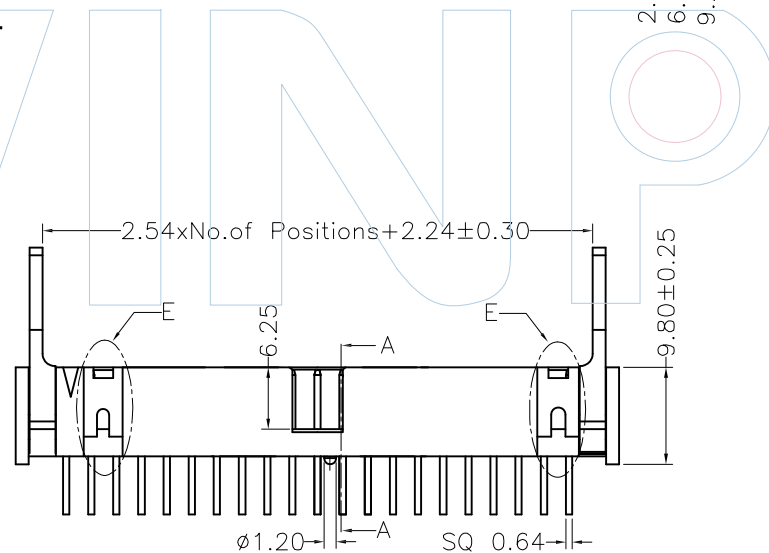


PART NUMBER CODING

EJFR1- XX XX X X X 1

- No.of Pins
06-64P
- Contact Plating
G0:Gold Flash
G1:3U*Gold
G2:5U*Gold
G3:10U*Gold
G4:15U*Gold
G5:20U*Gold
G6:30U*Gold
S0:Gold Flash/Tin
S1:3U*Gold/Tin
S2:5U*Gold/Tin
S3:10U*Gold/Tin
S4:15U*Gold/Tin
S5:20U*Gold/Tin
S6:30U*Gold/Tin
SN:Tin
- Latch type
L:Long Latch
S:Short Latch
- Color
B:Black
U:Blue
E:Gray(413C)
G:Gray(427C)
- Packing
A:Tray
T:Tube

Dimension antitheses list	
PART NO	D
EJFR1-XXXXLXX1	14.55
EJFR1-XXXXSXX1	10.65



Tel:+86 769 82581808 FAX:+86 769 81766192
E-Mail:sales@winpin.net Http://www.winpin.net

PART NO: EJFR1-XXXXXX1

TITLE: 2.54mm Ejector Header 90°METAL LATCH H=9.8

NOTES:
Current Rating:3.0AMP
Withstand Voltage:500V AC/DC
Contact Resistance:20mΩ Max
Insulation Resistance:1000MΩ Min
Operation Temperature:-40°C to +105°C

Contact Material:Brass
Contact Plating:Au or Sn over Ni
Latch Material:Zinc Alloy
Latch plating:Ni
Insulator Material:PA6T+30%G.F (UL94V-0)

UNLESS OTHERWISE SPECIFIED DIMENSIONS ARE IN METRIC TOLERANCES ARE:
DECIMALS Angle
X.X:±0.40 ± 3°
X.XX:±0.25
X.XXX:±0.15

SCALE	1:1
UNIT	MM
PROJ.	
SHEET	

A0	2015/06/25	NEW	Hua.ZT		Hua.ZT
REV	DATE	MODIFICATION DESCRIPTIO	DRAW	CHANGE	APPROVE