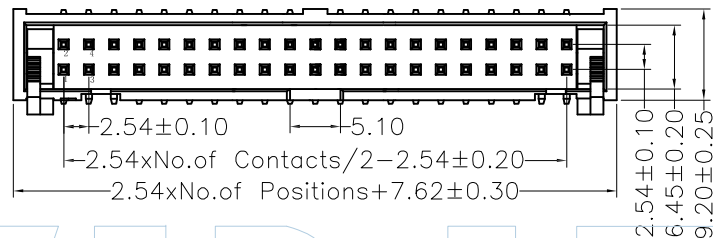
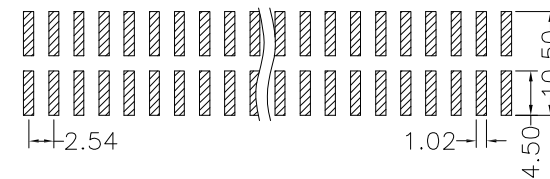




Recommended P.C.B Layout(Top Side)  
(PCB BOARD TOLERANCE±0.05)



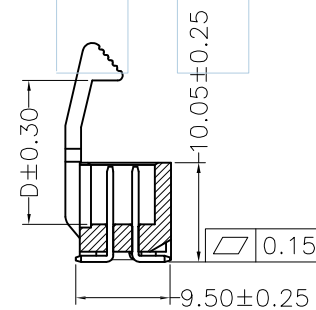
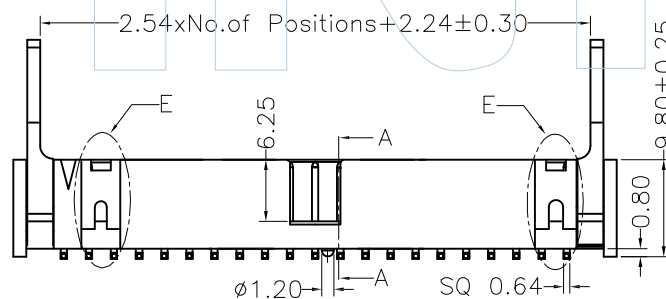
**PART NUMBER CODING**

EJFM1- XX XX X X X 1

- No. of Pins  
06-64P
- Contact Plating  
G0:Gold Flash  
G1:3U"Gold  
G2:5U"Gold  
G3:10U"Gold  
G4:15U"Gold  
G5:20U"Gold  
G6:30U"Gold  
S0:Gold Flash/Tin  
S1:3U"Gold/Tin  
S2:5U"Gold/Tin  
S3:10U"Gold/Tin  
S4:15U"Gold/Tin  
S5:20U"Gold/Tin  
S6:30U"Gold/Tin  
SN:Tin
- Latch type  
L:Long Latch  
S:Short Latch
- Color  
B:Black  
U:Blue  
E:Gray(413C)  
G:Gray(427C)
- Packing  
A:Tray  
T:Tube

Dimension antitheses list

PART NO	D
EJFM1-XXXXLXX1	14.55
EJFM1-XXXXSXX1	10.65



SECTION A-A



Tel:+86 769 82581808 FAX:+86 769 81766192  
E-Mail:sales@winpin.net Http:www.winpin.net

PART NO: EJFM1-XXXXXXX1

TITLE: 2.54mm Ejector Header SMT METAL LATCH H=9.8

NOTES:  
Current Rating:3.0AMP  
Withstand Voltage:500V AC/DC  
Contact Resistance:20mΩ Max  
Insulation Resistance:1000MΩ Min  
Operation Temperature:-40°C to +105°C

Contact Material:Brass  
Contact Plating: Au or Sn over Ni  
Latch Material:Zinc Alloy  
Latch plating:Ni  
Insulator Material:PA6T+30%G.F (UL94V-0)

UNLESS OTHERWISE SPECIFIED DIMENSIONS ARE IN METRIC TOLERANCES ARE:  
DECIMALS Angle  
X.X:±0.40 ± 3°  
X.XX:±0.25  
X.XXX:±0.15

SCALE 1:1  
UNIT MM  
PROJ.   
SHEET

REV	DATE	MODIFICATION DESCRIPTION	DRAW	CHANGE	APPROVE
A0	2015/06/25	NEW	Hua.ZT		Hua.ZT