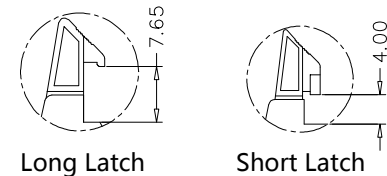
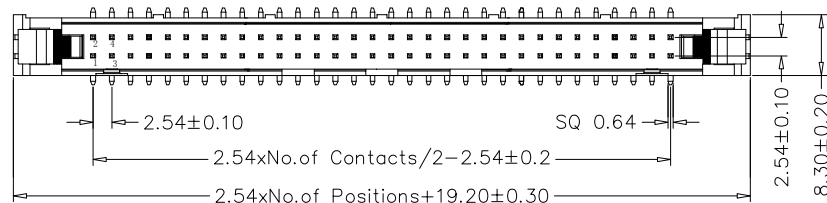
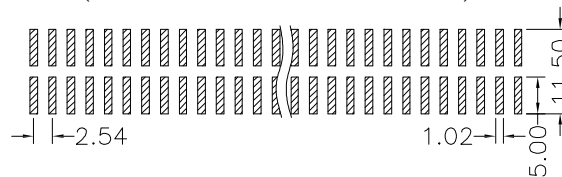




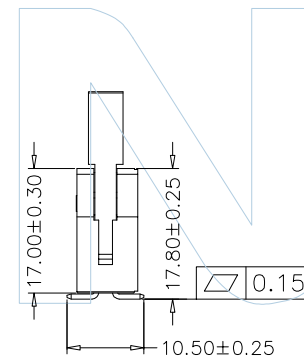
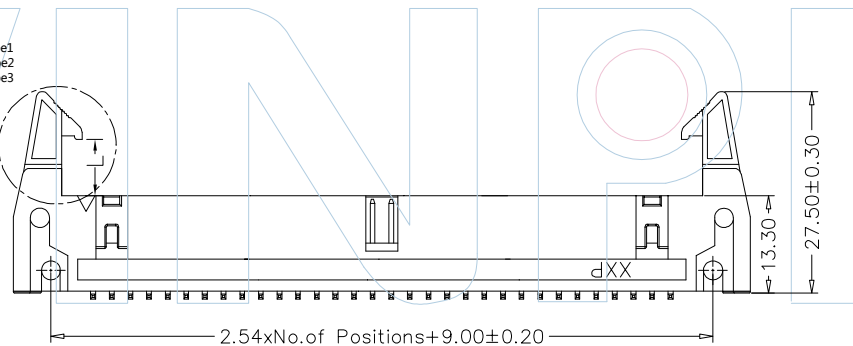
Recommend P.C.B Layout (TOP Side)
(PCB BOARD TOLERANCE ±0.05)



PART NUMBER CODING

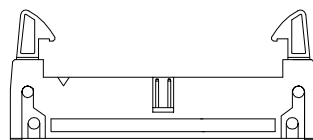
EJFM2-XX XX X X A X

- No. of Pins: 06-64
- Contact Plating: G0:Gold Flash, G1:3U*Gold, G2:5U*Gold, G3:10U*Gold, G4:15U*Gold, G5:20U*Gold, G6:30U*Gold, S0:Gold Flash/Tin, S1:3U*Gold/Tin, S2:5U*Gold/Tin, S3:10U*Gold/Tin, S4:15U*Gold/Tin, S5:20U*Gold/Tin, S6:30U*Gold/Tin, SN:Tin
- Latch type: L:Long Latch, S:Short Latch
- Material/Color: B:PA9T/Black, C:PA6T/Black
- Packing: A:Tray
- Type: 1:Type1, 2:Type2, 3:Type3

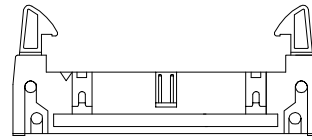


A1

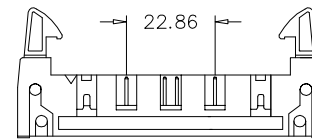
PART NO	Pins	Type
EJFM2-XXXXXXA1	6P/8P/10P/12P/14P/16P/18P	一个缺口
EJFM2-XXXXXXA2	20P/24P/26P/30P/34P/40P/50P/60P/64P	一个缺口, 两个窗口
EJFM2-XXXXXXA3	60P/64P	三个缺口, 两个窗口



(6~18PIN 一个缺口)
EJFM2-XXXXXXA1



(20~64PIN)
一个缺口, 两个窗口
EJFM2-XXXXXXA2



(60, 64PIN)
三个缺口, 两个窗口
EJFM2-XXXXXXA3



Tel:+86 769 82581808 FAX:+86 769 81766192
E-Mail:sales@winpin.net Http://www.winpin.net

PART NO: EJFM2-XXXXXXAX

TITLE: 2.54mm Ejector Header SMT

NOTES:
Current Rating:3.0AMP
Withstand Voltage:500V AC/DC
Contact Resistance:20mΩ Max
Insulation Resistance:1000MΩ Min
Operation Temperature:-40℃ to +105℃

Contact Material:Brass
Contact Plating:Au or Sn over Ni
Insulator Material:PA9T/PA6T
+30%G.F (UL94V-0)

UNLESS OTHERWISE SPECIFIED DIMENSIONS ARE IN METRIC TOLERANCES ARE:
DECIMALS Angle ± 3°
X.X:±0.40
X.XX:±0.25
X.XXX:±0.15

SCALE 1:1
UNIT MM
PROJ.
SHEET

REV	DATE	MODIFICATION DESCRIPTION	DRAW	CHANGE	APPROVE
A1	2022/02/08	为了便于区分产品结构, 新增料号详细说明	GF.He	Andy	Bobby
A0	2015/06/25	NEW	Hua.ZT		Hua.ZT