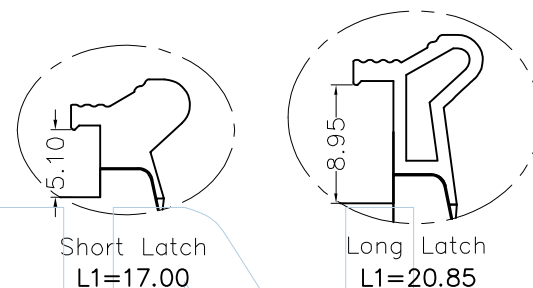
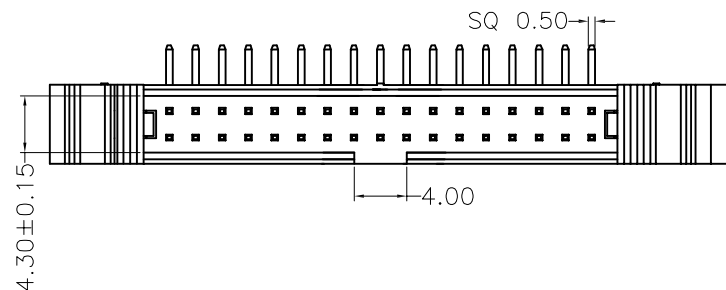
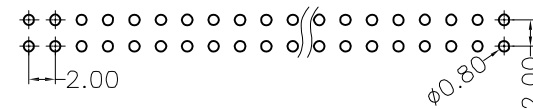
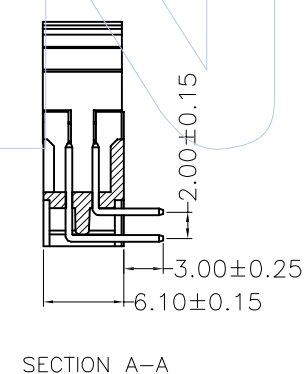
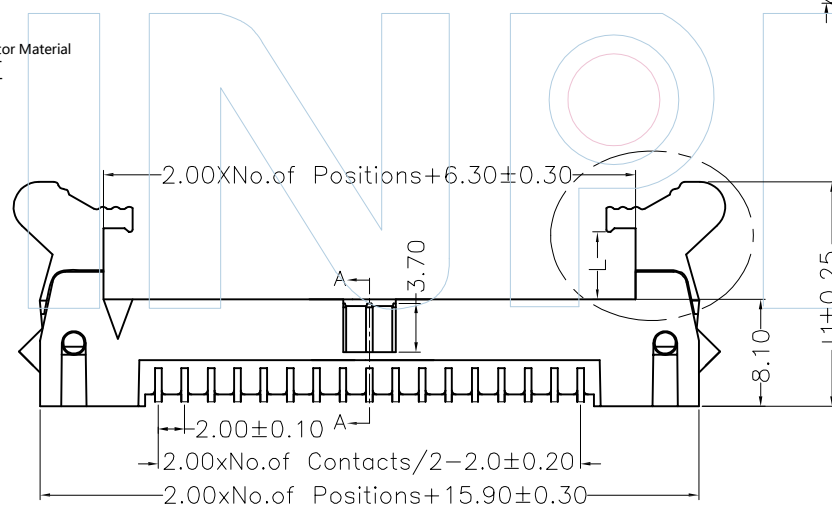
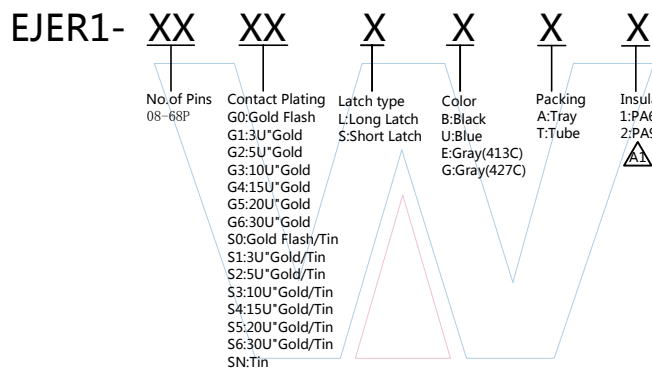




Recommended P.C.B Layout(Top Side)
(PCB BOARD TOLERANCE±0.05)



PART NUMBER CODING



Tel:+86 769 82581808 FAX:+86 769 81766192
E-Mail:sales@winpin.net Http://www.winpin.net

PART NO: EJER1-XXXXXXX

TITLE: 2.00mm Ejector Header 90°

NOTES:
Current Rating:1.5AMP
Withstand Voltage:500V AC/DC
Contact Resistance:20mΩ Max
Insulation Resistance:1000MΩ Min
Operation Temperature:-40°C to +105°C

Contact Material:Brass
Contact Plating:Au or Sn over Ni
Insulator Material:PA6T or PA9T+30%G.F
(UL94V-0)

UNLESS OTHERWISE SPECIFIED DIMENSIONS ARE IN METRIC TOLERANCES ARE:

DECIMALS	Angle
X.X:±0.40	± 3°
X.XX:±0.25	
X.XXX:±0.15	
SCALE	1:1
UNIT	MM
PROJ.	
SHEET	

A1	2020/10/17	增加后缀2 PA9T料	Myron.Yuan		Myron.Yuan
A0	2015/06/25	NEW	Hua.ZT		Hua.ZT
REV	DATE	MODIFICATION DESCRIPTIO	DRAW	CHANGE	APPROVE