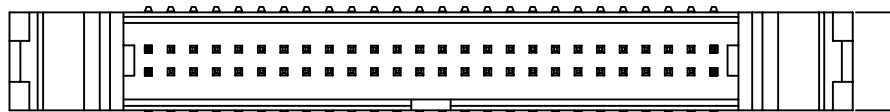
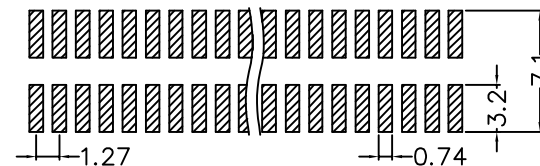


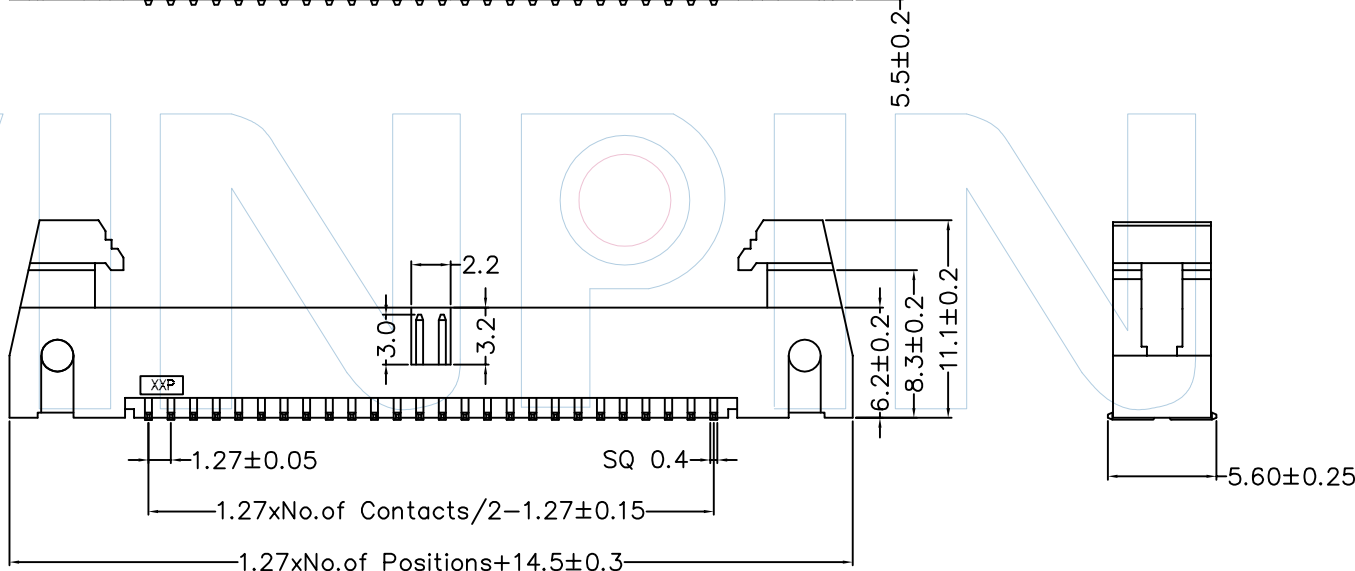
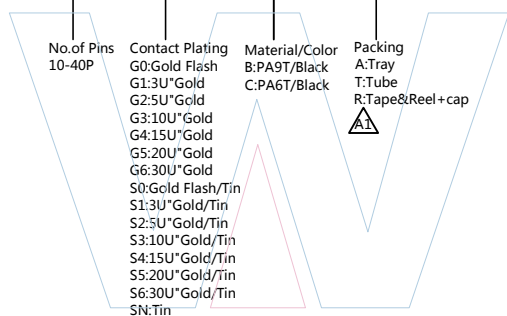


Recommended P.C.B Layout(Top Side)
(PCB BOARD TOLERANCE±0.05)



PART NUMBER CODING

EJCM1 - XX XX S X X 1



Tel:+86 769 82581808 FAX:+86 769 81766192
E-Mail:sales@winpin.net Http://www.winpin.net

PART NO: EJCM1-XXXXSXX1

TITLE: 1.27mm Ejector Header SMT

NOTES:
Current Rating:1.0AMP
Withstand Voltage:500V AC/DC
Contact Resistance:20mΩ Max
Insulation Resistance:1000MΩ Min
Operation Temperature:-40°C to +105°C

Contact Material:Brass
Contact Plating:Au or Sn over Ni
Insulator Material:PA9T/PA6T+30%G.F
(UL94V-0)

UNLESS OTHERWISE SPECIFIED DIMENSIONS ARE IN METRIC TOLERANCES ARE:
DECIMALS Angle
X.X:±0.40 ± 3°
X.XX:±0.25
X.XXX:±0.15

SCALE 1:1
UNIT MM
PROJ.
SHEET

A1	2020/03/24	增加卷装规格料号	Jason.Huang		Jason.Huang
A0	2015/06/25	NEW	Hua.ZT		Hua.ZT
REV	DATE	MODIFICATION DESCRIPTIO	DRAW	CHANGE	APPROVE