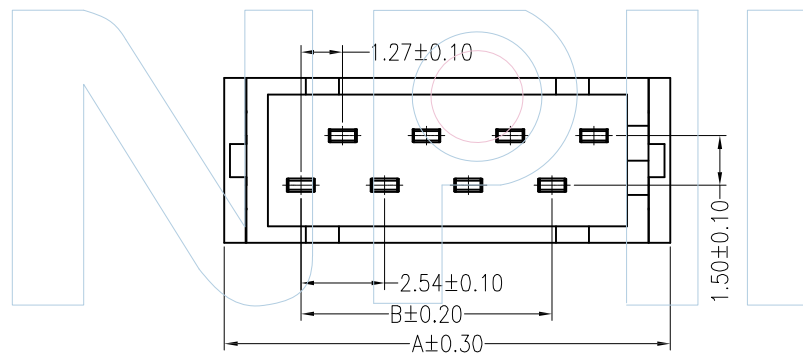
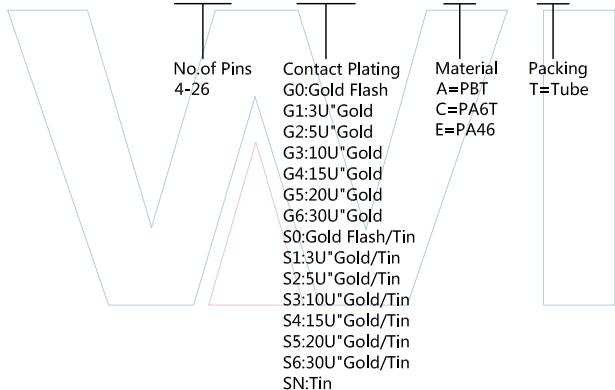


### PART NUMBER CODING

MMMI-XX XX X X 2



Dimensional & Ordering Information

Circuit	Part No.	Dimension		Q'TY /Tube
		A	B	
04	MMMI-04XXXX1	8.45	2.54	69pcs
06	MMMI-06XXXX1	10.99	5.08	53pcs
08	MMMI-08XXXX1	13.53	7.62	43pcs
10	MMMI-10XXXX1	16.07	10.16	36pcs
12	MMMI-12XXXX1	18.61	12.70	31pcs
14	MMMI-14XXXX1	21.15	15.24	27pcs
16	MMMI-16XXXX1	23.69	17.78	24pcs
18	MMMI-18XXXX1	26.23	20.32	22pcs
20	MMMI-20XXXX1	28.77	22.86	20pcs
22	MMMI-22XXXX1	31.31	25.40	17pcs
24	MMMI-24XXXX1	33.85	27.94	14pcs
26	MMMI-26XXXX1	36.39	30.48	11pcs



Tel:+86 769 82581808 FAX:+86 769 81766192  
E-Mail:winpin@win-pin.com Http:www.win-pin.com

NOTES:  
Rating Current:1.0AMP  
Withstand Voltage:500V AC/DC  
Contact Resistance:20mΩ Max  
Insulation Resistance:1000MΩ Min  
Operation Temperature:-40°C to +105°C

Contact Material:Phosphor Bronze  
Contact Plating:Sn over Ni  
Insulator Material:High Temperature plastic (UL94V-0)

UNLESS OTHERWISE SPECIFIED DIMENSIONS ARE IN METRIC TOLERANCES ARE:  
DECIMALS Angle  
X.X:±0.40 ± 3°  
X.XX:±0.25  
X.XXX:±0.15

PART NO: MMMI-XXXXXX2

TITLE: Micro Match DIP TYPE BOX

SCALE 1:1  
UNIT MM  
PROJ.   
SHEET

A0	2015/06/25	NEW	Hua.ZT		Hua.ZT
REV	DATE	MODIFICATION DESCRIPTIO	DRAW	CHANGE	APPROVE