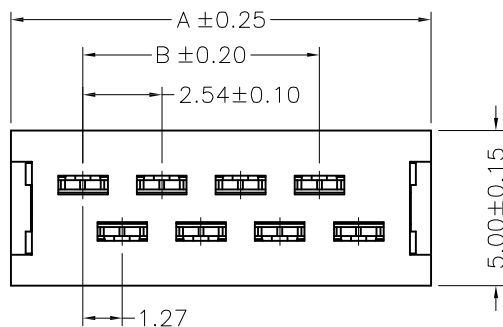
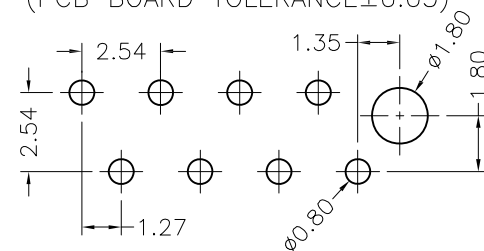


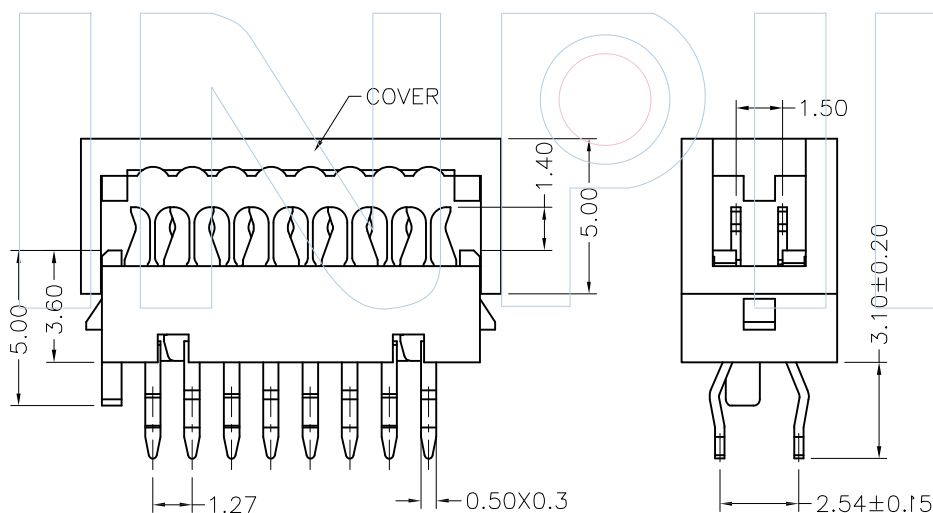
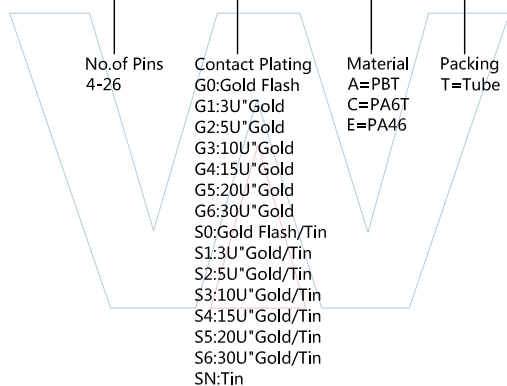


Recommended P.C.B Layout(Top Side)
(PCB BOARD TOLERANCE±0.05)



PART NUMBER CODING

MMMI-XX XX X X 1



Dimensional & Ordering Information

Circuit	Part No.	Dimension		Q'TY /Tube
		A	B	
04	MMFI-04XXXXX1	8.45	2.54	69pcs
06	MMFI-06XXXXX1	10.99	5.08	53pcs
08	MMFI-08XXXXX1	13.53	7.62	43pcs
10	MMFI-10XXXXX1	16.07	10.16	36pcs
12	MMFI-12XXXXX1	18.61	12.70	31pcs
14	MMFI-14XXXXX1	21.15	15.24	27pcs
16	MMFI-16XXXXX1	23.69	17.78	24pcs
18	MMFI-18XXXXX1	26.23	20.32	22pcs
20	MMFI-20XXXXX1	28.77	22.86	20pcs
22	MMFI-22XXXXX1	31.31	25.40	17pcs
24	MMFI-24XXXXX1	33.85	27.94	14pcs
26	MMFI-26XXXXX1	36.39	30.48	11pcs



Tel: +86 769 82581808 FAX: +86 769 81766192
E-Mail: winpin@win-pin.com Http: www.win-pin.com

NOTES:
Current Rating: 1.0AMP
Withstand Voltage: 500V AC/DC
Contact Resistance: 20mΩ Max
Insulation Resistance: 1000MΩ Min
Operation Temperature: -25°C to +85°C

Contact Material: Phosphor Bronze
Contact Plating: Sn over Ni
Insulator Material: High Temperature plastic (UL94V-0)

UNLESS OTHERWISE SPECIFIED DIMENSIONS ARE IN METRIC TOLERANCES ARE:
DECIMALS Angle
X.X: ±0.40 ± 3°
X.XX: ±0.25
X.XXX: ±0.15

PART NO: MMMI-XXXXXX1

TITLE: Micro Match DIP Plug (IDC TYPE)

SCALE	1:1	A0	2015/06/25	NEW	Hua.ZT	Hua.ZT
UNIT	MM	REV	DATE	MODIFICATION DESCRIPTIO	DRAW	CHANGE
PROJ.		APPROVE				
SHEET						