

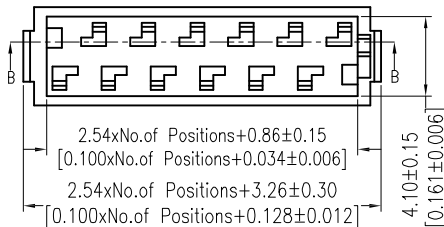
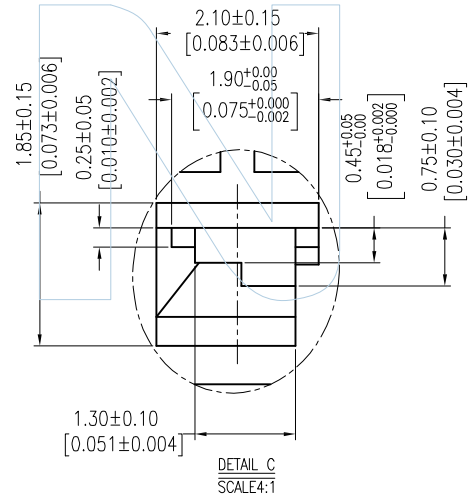
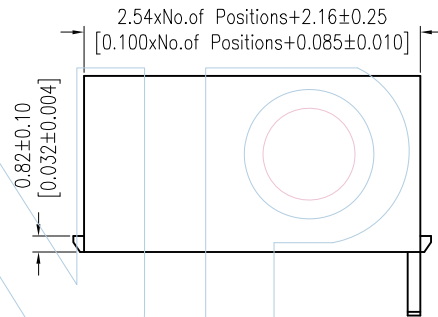
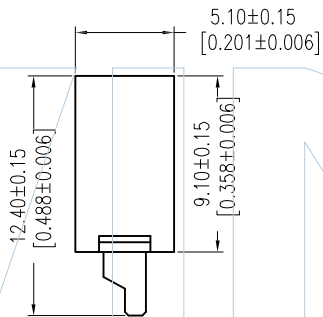
**PART NUMBER CODING**

**MMH-XX R X 1**

No. of Pins  
4-26

Colour  
RED

Packing  
B=PE Bag




Tel: +86 769 82581808 FAX: +86 769 81766192  
E-Mail: winpin@win-pin.com Http: www.win-pin.com

NOTES:  
Current Rating: .1.0AMP  
Withstand Voltage: 500V AC/DC  
Contact Resistance: 20mΩ Max  
Insulation Resistance: 1000MΩ Min  
Operation Temperature: -25°C to +85°C  
Insulator Material: PBT+30%GF (UL94V-0)

PART NO: MMH-XXRX1

TITLE: Micro Match CRIMP HOUSING

UNLESS OTHERWISE SPECIFIED DIMENSIONS ARE IN METRIC TOLERANCES ARE:  
DECIMALS Angle  
X.X: ±0.40 ± 3°  
X.XX: ±0.25  
X.XXX: ±0.15

SCALE	1:1
UNIT	MM
PROJ.	
SHEET	

A0	2015/06/25	NEW	Hua.ZT		Hua.ZT
REV	DATE	MODIFICATION DESCRIPTIO	DRAW	CHANGE	APPROVE