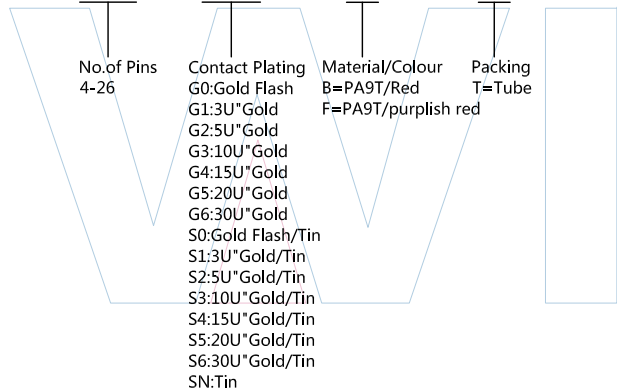


Recommended P.C.B Layout (Top Side)
(PCB BOARD TOLERANCE ±0.05)

PART NUMBER CODING

MMFR-XX XX X X 3

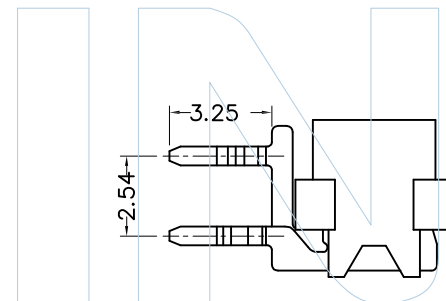
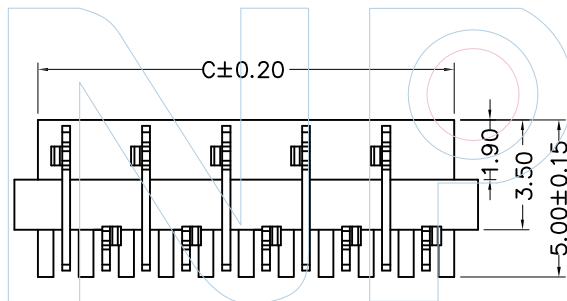


No. of Pins
4-26

Contact Plating
G0: Gold Flash
G1: 3U*Gold
G2: 5U*Gold
G3: 10U*Gold
G4: 15U*Gold
G5: 20U*Gold
G6: 30U*Gold
S0: Gold Flash/Tin
S1: 3U*Gold/Tin
S2: 5U*Gold/Tin
S3: 10U*Gold/Tin
S4: 15U*Gold/Tin
S5: 20U*Gold/Tin
S6: 30U*Gold/Tin
SN: Tin

Material/Colour
B=PA9T/Red
F=PA9T/purplish red

Packing
T=Tube



| Poles | Dimensions(mm) | | | Poles | Dimensions(mm) | | |
|-------|----------------|-------|-------|-------|----------------|-------|-------|
| | AB | C | | | AB | C | |
| 04 | 3.81 | 7.00 | 5.60 | 16 | 19.05 | 22.24 | 20.84 |
| 06 | 6.35 | 9.54 | 8.14 | 18 | 21.59 | 24.78 | 23.38 |
| 08 | 8.89 | 12.08 | 10.68 | 20 | 24.13 | 27.32 | 25.92 |
| 10 | 11.43 | 14.62 | 13.22 | 22 | 26.67 | 29.86 | 28.46 |
| 12 | 13.97 | 17.16 | 15.76 | 24 | 29.21 | 32.40 | 31.00 |
| 14 | 16.51 | 19.70 | 18.30 | 26 | 31.75 | 34.94 | 33.54 |



Tel: +86 769 82581808 FAX: +86 769 81766192
E-Mail: winpin@win-pin.com Http: www.win-pin.com

NOTES:
Current Rating: 1.0AMP
Withstand Voltage: 500V AC/DC
Contact Resistance: 20mΩ Max
Insulation Resistance: 1000MΩ Min
Operation Temperature: -40°C to +105°C

Contact Material: Brass
Contact Plating: Sn over Ni
Insulator Material: PA9T (UL94V-0)

UNLESS OTHERWISE SPECIFIED DIMENSIONS ARE IN METRIC TOLERANCES ARE:
DECIMALS Angle
X.X: ±0.40 ± 3°
X.XX: ±0.25
X.XXX: ±0.15

SCALE 1:1
UNIT MM
PROJ.
SHEET

PART NO: MMFR-XXXXXX3

TITLE: Micro Match Socket 90° DIP

| | | | | | |
|-----|------------|--------------------------|--------|--------|---------|
| A0 | 2015/06/25 | NEW | Hua.ZT | | Hua.ZT |
| REV | DATE | MODIFICATION DESCRIPTION | DRAW | CHANGE | APPROVE |