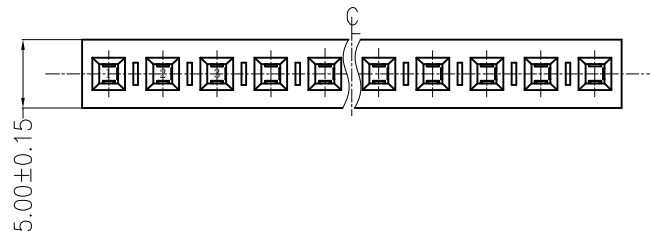
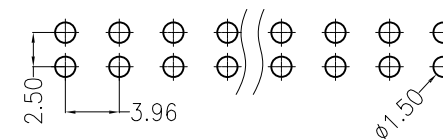




Recommended P.C.B Layout(TOP Side)  
(PCB BOARD TOLERANCE±0.05)



PART NUMBER CODING

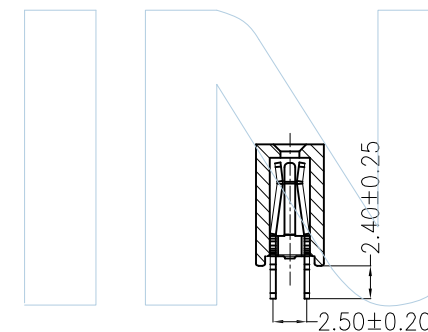
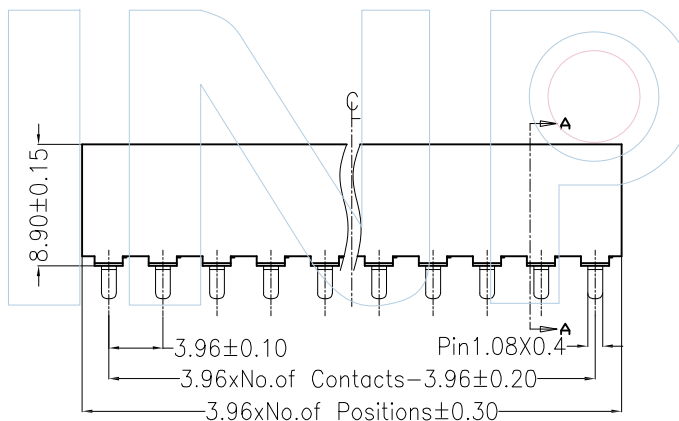
FHGS89- 1 XX XX X U X 1

No.of Pins  
Row:02-40Pin

Contact Plating  
G0:Gold Flash  
G1:3U\*Gold  
G2:5U\*Gold  
G3:10U\*Gold  
G4:15U\*Gold  
G5:20U\*Gold  
G6:30U\*Gold  
S0:Gold Flash/Tin  
S1:3U\*Gold/Tin  
S2:5U\*Gold/Tin  
S3:10U\*Gold/Tin  
S4:15U\*Gold/Tin  
S5:20U\*Gold/Tin  
S6:30U\*Gold/Tin  
SN:Tin

Insulator  
Material/Colour  
D:LCP/BLACK

Packing  
A=Tray  
T=Tube



SECTION "A-A"



Tel:+86 769 82581808 FAX:+86 769 81766192  
E-Mail:winpin@win-pin.com Http:www.win-pin.com

PART NO: FHGS89-1XXXXXUX1

TITLE: FH3.96mm Single Female H=8.9mm 180°

NOTES:  
Current Rating:7.0AMP  
Contact Resistance:20mΩ Max  
Insulation Resistance:1000MΩ Min  
Withstand Voltage:500V AC/Minute  
Operation Temperature:-55°C to +125°C

Contact Material:Phosphor Bronze  
Contact Plating:Au over Ni  
Insulator Material:Polyester (UL94V-0)  
Standard:LCP+30%GF Black

UNLESS OTHERWISE SPECIFIED DIMENSIONS ARE IN METRIC TOLERANCES ARE:  
DECIMALS Angle  
X.X:±0.40 ± 3°  
X.XX:±0.25  
X.XXX:±0.15

SCALE	1:1
UNIT	MM
PROJ.	
SHEET	

A0	2015/06/25	NEW	Hua.ZT		Hua.ZT
REV	DATE	MODIFICATION DESCRIPTIO	DRAW	CHANGE	APPROVE