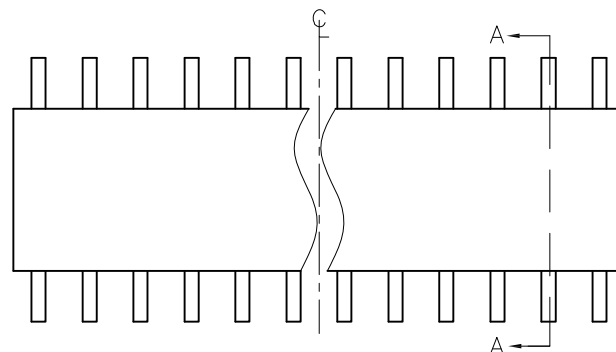
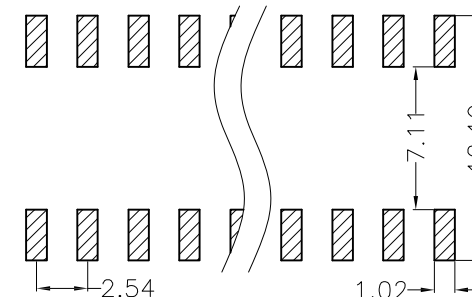


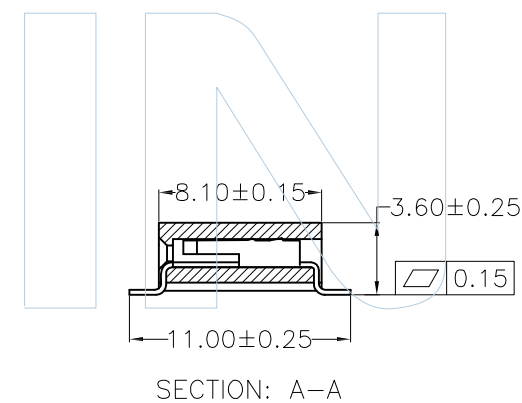
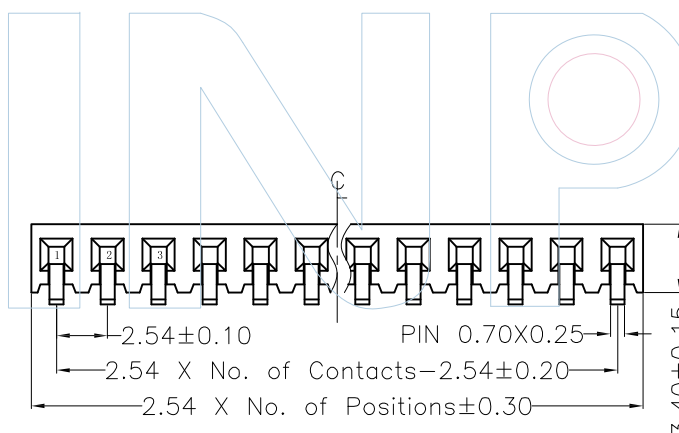
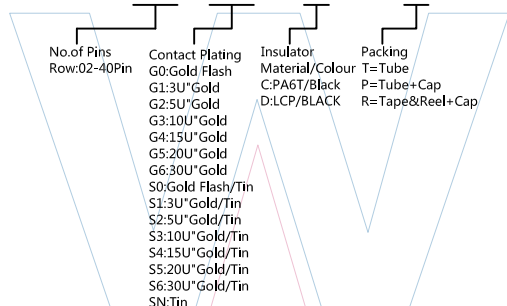


Recommended P.C.B Layout(TOP Side)  
(PCB BOARD TOLERANCE±0.05)



PART NUMBER CODING

FHFM34- 1 XX XX X U X 1



Tel:+86 769 82581808 FAX:+86 769 81766192  
E-Mail:winpin@win-pin.com Http://www.win-pin.com

PART NO: FHFM34-1XXXXXU1

TITLE: FH2.54mm Single Row Female H=5.9mm SMT

NOTES:  
Current Rating:3.0AMP  
Contact Resistance:20mΩ Max  
Insulation Resistance:1000MΩ Min  
Withstand Voltage:500V AC/Minute  
Operation Temperature:-55°C to +125°C

Contact Material:Phosphor Bronze  
Contact Plating:Au over Ni  
Insulator Material:Polyester (UL94V-0)  
Standard:PA6T Or LCP+30%GF Black

UNLESS OTHERWISE SPECIFIED DIMENSIONS ARE IN METRIC TOLERANCES ARE:  
DECIMALS Angle  
X.X:±0.40 ± 3°  
X.XX:±0.25  
X.XXX:±0.15

SCALE	1:1
UNIT	MM
PROJ.	
SHEET	

A0	2015/06/25	NEW	Hua.ZT		Hua.ZT
REV	DATE	MODIFICATION DESCRIPTIO	DRAW	CHANGE	APPROVE