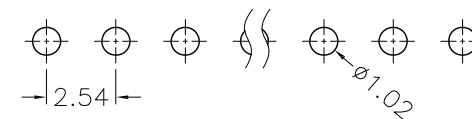




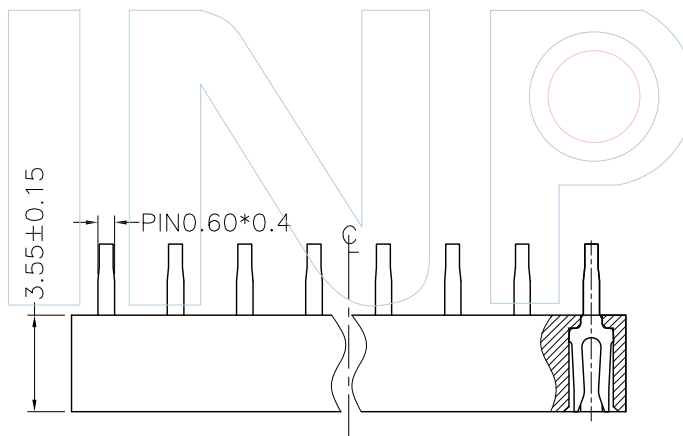
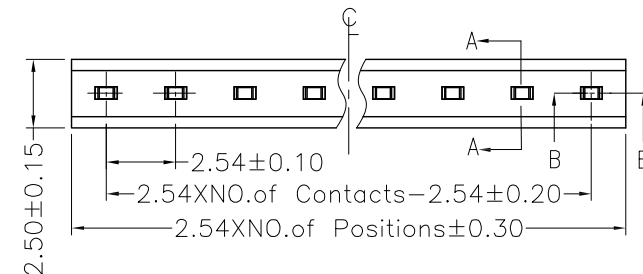
Recommended P.C.B Layout(TOP Side)
(PCB BOARD TOLERANCE±0.05)



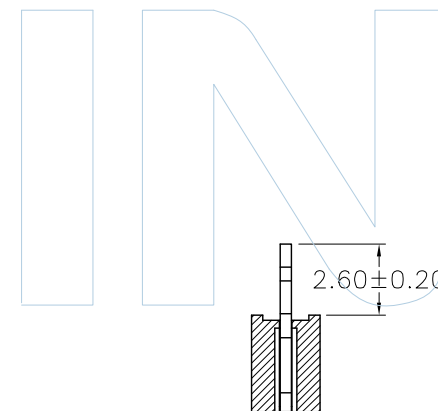
PART NUMBER CODING

FHFS35- 1 XX XX X Y X 3

- No.of Pins Row:02-40Pin
- Contact Plating
 - G0:Gold Flash
 - G1:3U"Gold
 - G2:5U"Gold
 - G3:10U"Gold
 - G4:15U"Gold
 - G5:20U"Gold
 - G6:30U"Gold
 - S0:Gold Flash/Tin
 - S1:3U"Gold/Tin
 - S2:5U"Gold/Tin
 - S3:10U"Gold/Tin
 - S4:15U"Gold/Tin
 - S5:20U"Gold/Tin
 - S6:30U"Gold/Tin
 - SN:Tin
- Insulator Material/Colour
 - A:PBT/BLACK
 - C:PA6T/Black
- Packing
 - A=Tray
 - T=Tube



Section B-B



Section A-A



Tel:+86 769 82581808 FAX:+86 769 81766192
E-Mail:winpin@win-pin.com Http://www.win-pin.com

PART NO: FHFS35-1XXXXXX3

TITLE: FH2.54mm Single Female H=3.5mm 180° Y TER

NOTES:
Current Rating:3.0AMP
Contact Resistance:20mΩ Max
Insulation Resistance:1000MΩ Min
Withstand Voltage:500V AC/Minute
Operation Temperature:-55°C to +125°C

Contact Material:Phosphor Bronze
Contact Plating:Au over Ni
Insulator Material:Polyester (UL94V-0)
Standard:PA6T Or PBT+30%GF Black

UNLESS OTHERWISE SPECIFIED DIMENSIONS ARE IN METRIC TOLERANCES ARE:
DECIMALS Angle
X.X:±0.40 ± 3°
X.XX:±0.25
X.XXX:±0.15

SCALE	1:1
UNIT	MM
PROJ.	
SHEET	

A0	2015/06/25	NEW	Hua.ZT		Hua.ZT
REV	DATE	MODIFICATION DESCRIPTIO	DRAW	CHANGE	APPROVE