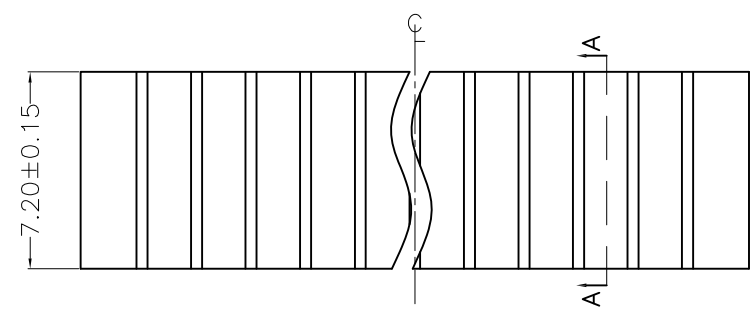
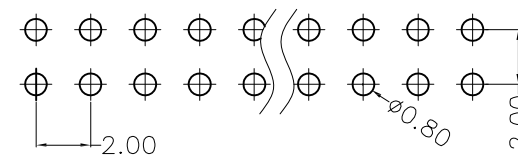




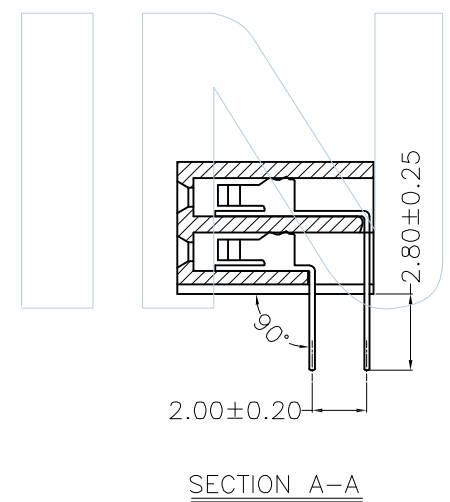
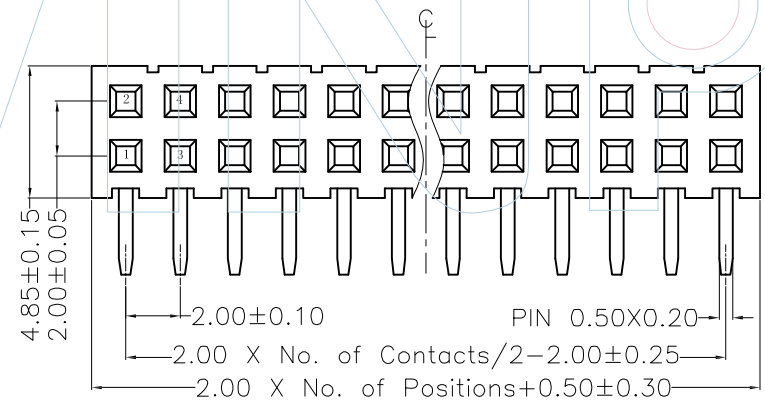
Recommended P.C.B Layout(TOP Side)
(PCB BOARD TOLERANCE±0.05)



PART NUMBER CODING

FHER72- 2 XX XX X U X 1

- No.of Pins: Row:02-40Pin
- Contact Plating: G0:Gold Flash, G1:3U"Gold, G2:5U"Gold, G3:10U"Gold, G4:15U"Gold, G5:20U"Gold, G6:30U"Gold, S0:Gold Flash/Tin, S1:3U"Gold/Tin, S2:5U"Gold/Tin, S3:10U"Gold/Tin, S4:15U"Gold/Tin, S5:20U"Gold/Tin, S6:30U"Gold/Tin, SN:Tin
- Insulator Material/Colour: C:PA6T/Black
- Packing: T=Tube, P=Tube+Cap, R=Tape&Reel+Cap



SECTION A-A

WINPIN
 Tel:+86 769 82581808 FAX:+86 769 81766192
 E-Mail:winpin@win-pin.com Http://www.win-pin.com

NOTES:
 Current Rating:2.0AMP
 Contact Resistance:20mΩ Max
 Insulation Resistance:1000MΩ Min
 Withstand Voltage:500V AC/Minute
 Operation Temperature:-55°C to +125°C

Contact Material:Phosphor Bronze
 Contact Plating:Au over Ni
 Insulator Material:Polyester (UL94V-0)
 Standard:PA6T+30%GF Black

UNLESS OTHERWISE SPECIFIED DIMENSIONS ARE IN METRIC TOLERANCES ARE:

DECIMALS	Angle
X.X:±0.40	± 3°
X.XX:±0.25	
X.XXX:±0.15	
SCALE	1:1
UNIT	MM
PROJ.	
SHEET	

A0	2015/06/25	NEW	Huan.Tan	Huan.Tan	
REV	DATE	MODIFICATION DESCRIPTIO	DRAW	CHANGE	APPROVE

PART NO: FHER72-2XXXXXUX1
 TITLE: FH2.00mm Dual Female H=7.20mm 90°