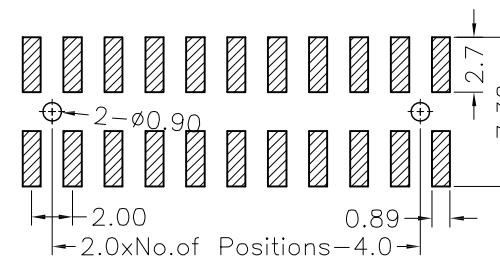


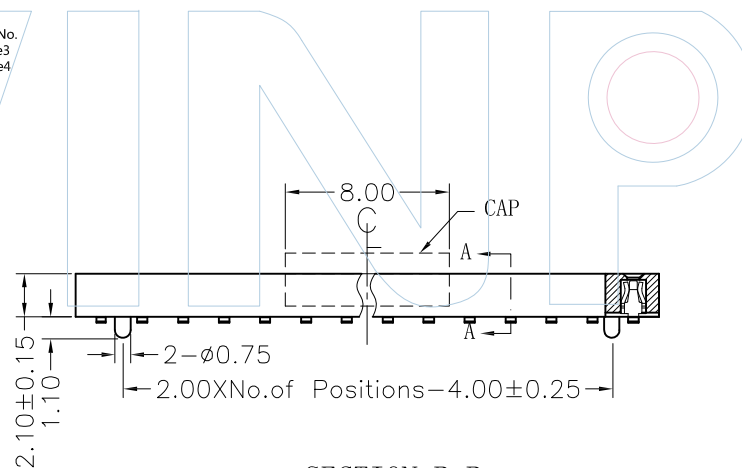
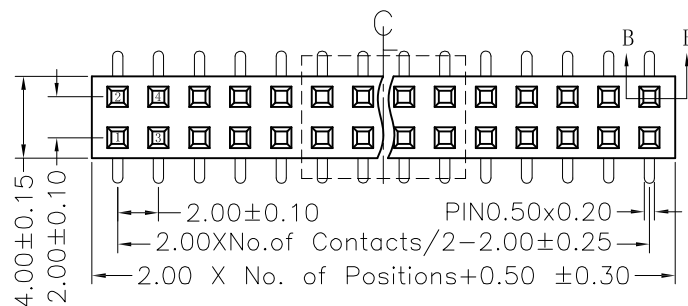
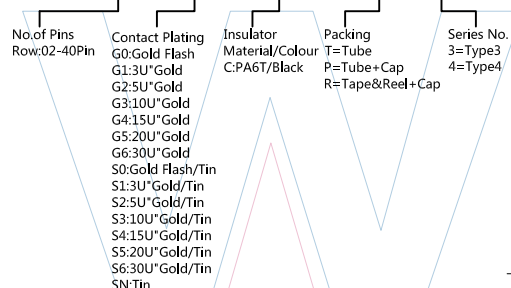


Recommended P.C.B Layout(TOP Side)  
(PCB BOARD TOLERANCE±0.05)

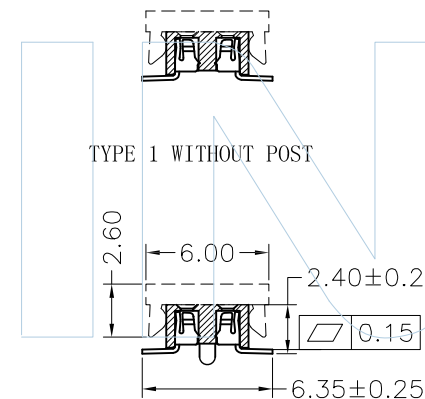


**PART NUMBER CODING**

FHEM21- 2 XX XX X U X X



SECTION: B-B



TYPE 2 WITH POST

SECTION: A-A



Tel:+86 769 82581808 FAX:+86 769 81766192  
E-Mail:winpin@win-pin.com Http:www.win-pin.com

PART NO: FHEM21-2XXXXXUXX

TITLE: FH2.00mm Dual Row Female H=2.1mm SMT W=6.35mm

**NOTES:**  
Current Rating:2.0AMP  
Contact Resistance:20mΩ Max  
Insulation Resistance:1000MΩ Min  
Withstand Voltage:500V AC/Minute  
Operation Temperature:-55°C to +125°C

Contact Material:Phosphor Bronze  
Contact Plating:Au over Ni  
Insulator Material:Polyester (UL94V-0)  
Standard:PA6T+30%GF Black

UNLESS OTHERWISE SPECIFIED DIMENSIONS ARE IN METRIC  
TOLERANCES ARE:  
DECIMALS Angle  
X.X:±0.40 ± 3°  
X.XX:±0.25  
X.XXX:±0.15

SCALE	1:1
UNIT	MM
PROJ.	
SHEET	

A0	2015/06/25	NEW	Huan.Tan	Huan.Tan	
REV	DATE	MODIFICATION DESCRIPTIO	DRAW	CHANGE	APPROVE