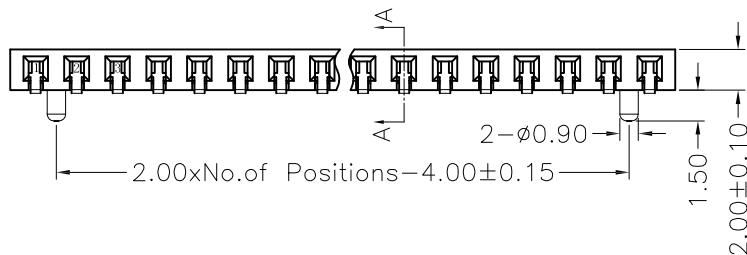
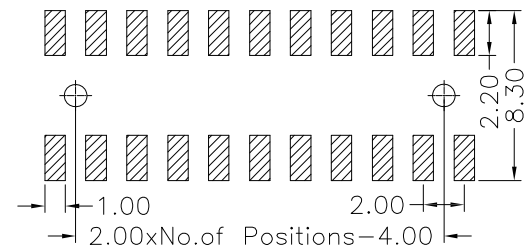




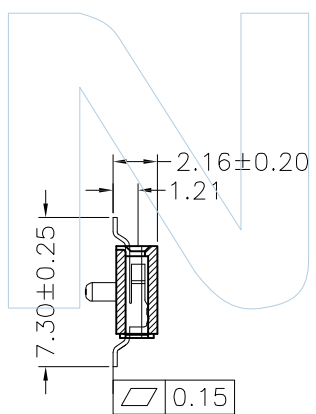
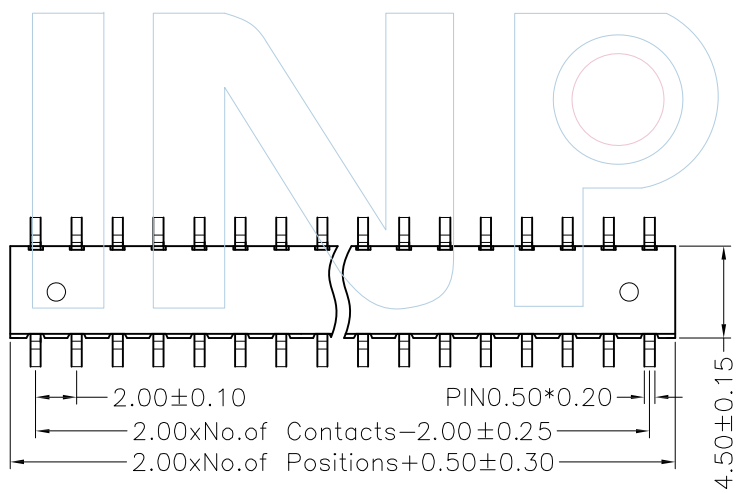
Recommended P.C.B Layout(TOP Side)  
(PCB BOARD TOLERANCE±0.05)



PART NUMBER CODING

FHEM20- 1 XX XX X U X 2

- No. of Pins  
Row:02-40Pin
- Contact Plating  
G0:Gold Flash  
G1:3U"Gold  
G2:5U"Gold  
G3:10U"Gold  
G4:15U"Gold  
G5:20U"Gold  
G6:30U"Gold  
S0:Gold Flash/Tin  
S1:3U"Gold/Tin  
S2:5U"Gold/Tin  
S3:10U"Gold/Tin  
S4:15U"Gold/Tin  
S5:20U"Gold/Tin  
S6:30U"Gold/Tin  
SN:Tin
- Insulator  
Material/Colour  
C:PA6T/Black
- Packing  
T=Tube  
P=Tube+Cap  
R=Tape&Reel+Cap



**WINPIN**  
 Tel:+86 769 82581808 FAX:+86 769 81766192  
 E-Mail:winpin@win-pin.com Http:www.win-pin.com

NOTES:  
 Current Rating:2.0AMP  
 Contact Resistance:20mΩ Max  
 Insulation Resistance:1000MΩ Min  
 Withstand Voltage:500V AC/Minute  
 Operation Temperature:-55°C to +125°C

Contact Material:Phosphor Bronze  
 Contact Plating:Au over Ni  
 Insulator Material:Polyester (UL94V-0)  
 Standard:PA6T+30%GF Black

UNLESS OTHERWISE SPECIFIED DIMENSIONS ARE IN METRIC TOLERANCES ARE:	
DECIMALS	Angle
X.X:±0.40	± 3°
X.XX:±0.25	
X.XXX:±0.15	
SCALE	1:1
UNIT	MM
PROJ.	
SHEET	

A0	2015/06/25	NEW	Huan.Tan		Huan.Tan
REV	DATE	MODIFICATION DESCRIPTIO	DRAW	CHANGE	APPROVE

PART NO: FHEM20-1XXXXUX2  
 TITLE: FH2.00mm Single Female H=2.00mm SMT With Post