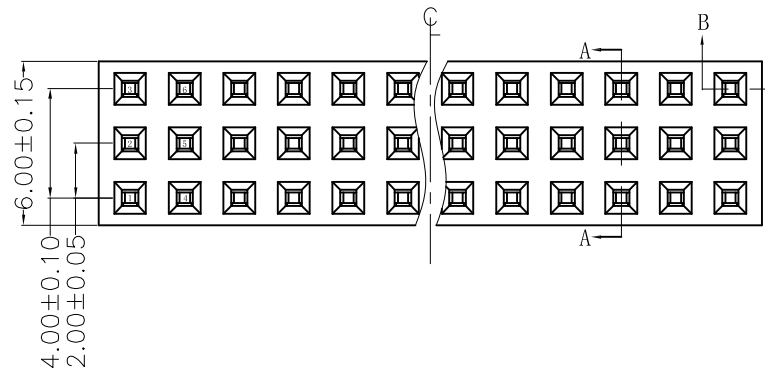
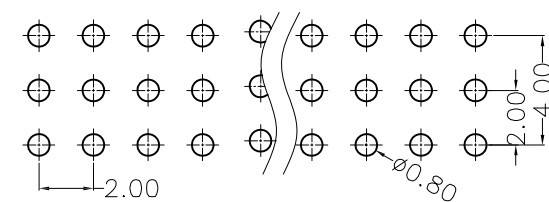




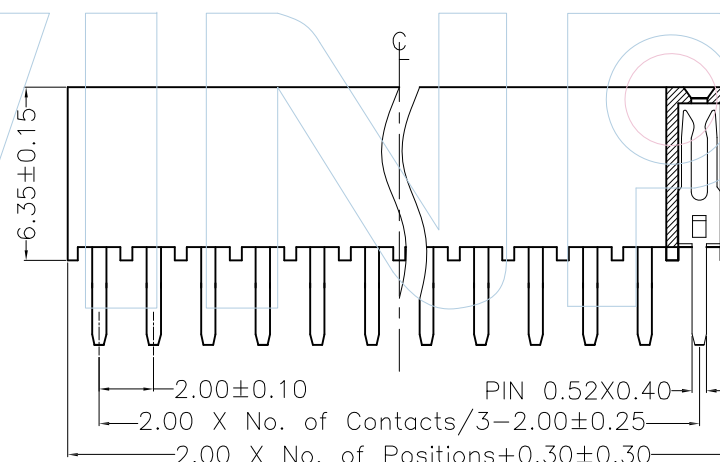
Recommended P.C.B Layout(TOP Side)  
(PCB BOARD TOLERANCE±0.05)



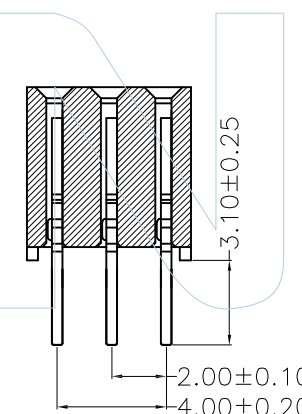
**PART NUMBER CODING**

**FHES63- 3 XX XX X Y X 1**

- No. of Pins Row: 02-40 Pin
- Contact Plating
  - G0: Gold Flash
  - G1: 3U" Gold
  - G2: 5U" Gold
  - G3: 10U" Gold
  - G4: 15U" Gold
  - G5: 20U" Gold
  - G6: 30U" Gold
  - S0: Gold Flash/Tin
  - S1: 3U" Gold/Tin
  - S2: 5U" Gold/Tin
  - S3: 10U" Gold/Tin
  - S4: 15U" Gold/Tin
  - S5: 20U" Gold/Tin
  - S6: 30U" Gold/Tin
  - SN: Tin
- Insulator Material/Colour T=Tube C:PA6T/Black
- Packing T=Tube



SECTION: B-B



SECTION: A-A



Tel: +86 769 82581808 FAX: +86 769 81766192  
E-Mail: winpin@win-pin.com Http://www.win-pin.com

PART NO: FHES63-3XXXXXX1

TITLE: FH2.00mm Three Female H=6.35mm 180°

**NOTES:**  
Current Rating: 2.0AMP  
Contact Resistance: 20mΩ Max  
Insulation Resistance: 1000MΩ Min  
Withstand Voltage: 500V AC/Minute  
Operation Temperature: -55°C to +125°C

Contact Material: Phosphor Bronze  
Contact Plating: Au over Ni  
Insulator Material: Polyester (UL94V-0)  
Standard: PA6T+30%GF Black

UNLESS OTHERWISE SPECIFIED DIMENSIONS ARE IN METRIC TOLERANCES ARE:  
DECIMALS Angle  
X.X: ±0.40 ± 3°  
X.XX: ±0.25  
X.XXX: ±0.15

SCALE	1:1
UNIT	MM
PROJ.	
SHEET	

A0	2015/06/25	NEW	Huan.Tan		Huan.Tan
REV	DATE	MODIFICATION DESCRIPTIO	DRAW	CHANGE	APPROVE