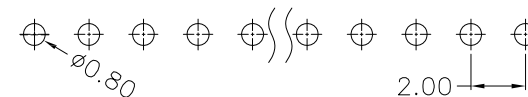




Recommended P.C.B Layout(TOP Side)
(PCB BOARD TOLERANCE±0.05)



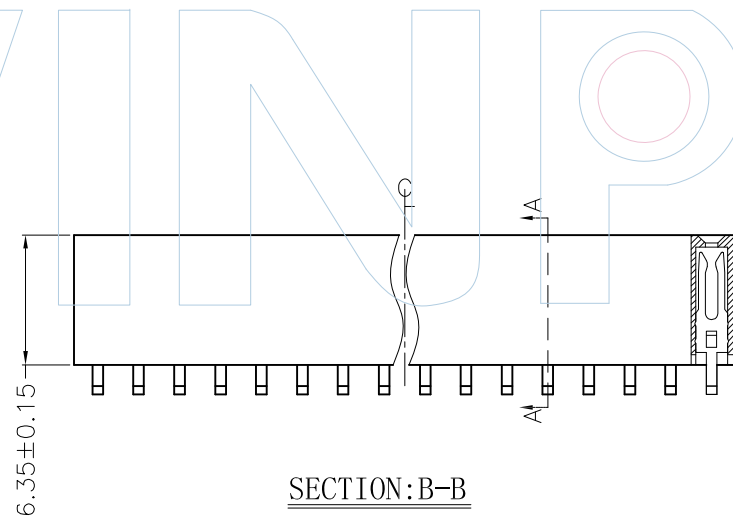
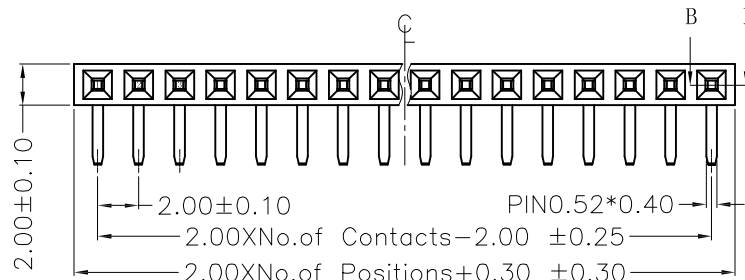
PART NUMBER CODING
FHER63- 1 XX XX X Y X 1

No. of Pins
Row:02-40Pin

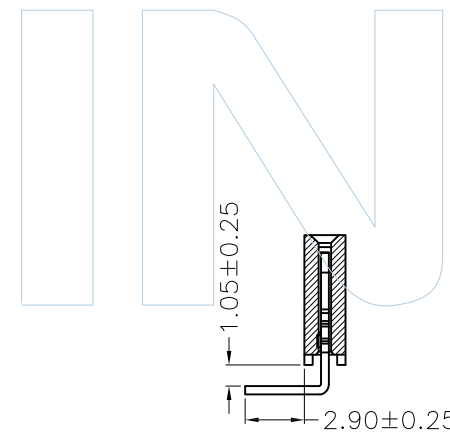
Contact Plating
 G0:Gold Flash
 G1:3U"Gold
 G2:5U"Gold
 G3:10U"Gold
 G4:15U"Gold
 G5:20U"Gold
 G6:30U"Gold
 S0:Gold Flash/Tin
 S1:3U"Gold/Tin
 S2:5U"Gold/Tin
 S3:10U"Gold/Tin
 S4:15U"Gold/Tin
 S5:20U"Gold/Tin
 S6:30U"Gold/Tin
 SN:Tin

Insulator
Material/Colour
C:PA6T/Black

Packing
T=Tube



SECTION: B-B



SECTION: A-A



Tel: +86 769 82581808 FAX: +86 769 81766192
 E-Mail: winpin@win-pin.com Http: www.win-pin.com

PART NO: FHER63-1XXXXXX1

TITLE: FH2.00mm Single Female H=6.35mm 90°

NOTES:
 Current Rating:2.0AMP
 Contact Resistance:20mΩ Max
 Insulation Resistance:1000MΩ Min
 Withstand Voltage:500V AC/Minute
 Operation Temperature:-55°C to +125°C

Contact Material:Phosphor Bronze
 Contact Plating:Au over Ni
 Insulator Material:Polyester (UL94V-0)
 Standard:PA6T+30%GF Black

UNLESS OTHERWISE SPECIFIED DIMENSIONS ARE IN METRIC TOLERANCES ARE:
 DECIMALS Angle
 X.X:±0.40 ± 3°
 X.XX:±0.25
 X.XXX:±0.15

SCALE	1:1
UNIT	MM
PROJ.	
SHEET	

A0	2015/06/25	NEW	Huan.Tan	Huan.Tan	
REV	DATE	MODIFICATION DESCRIPTIO	DRAW	CHANGE	APPROVE