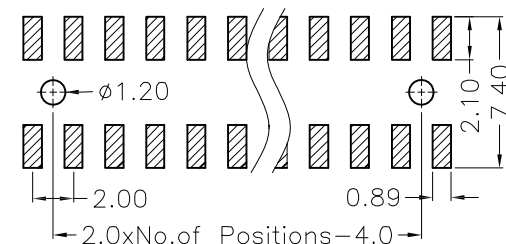
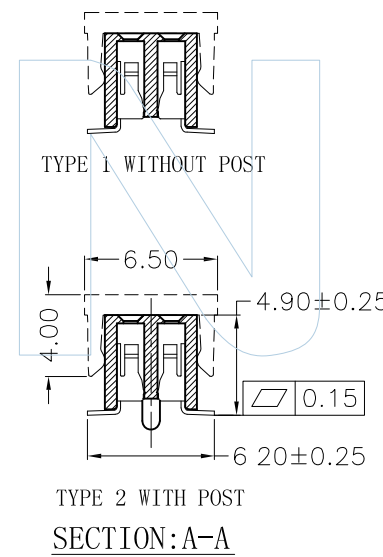
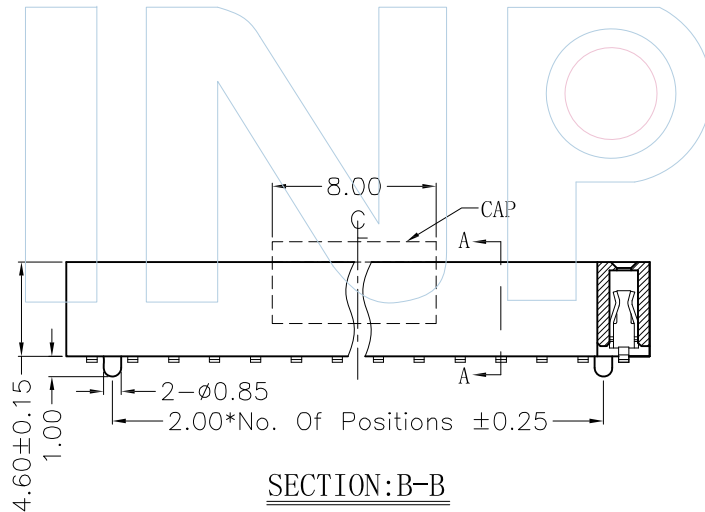
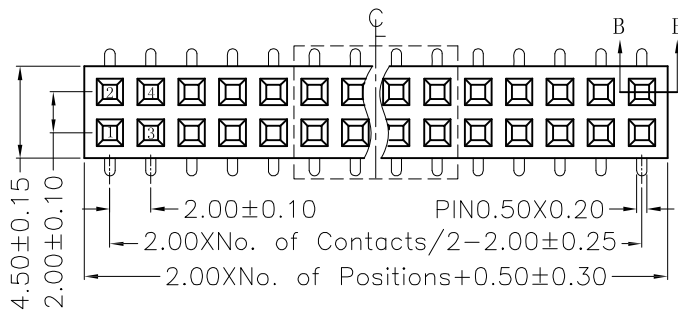
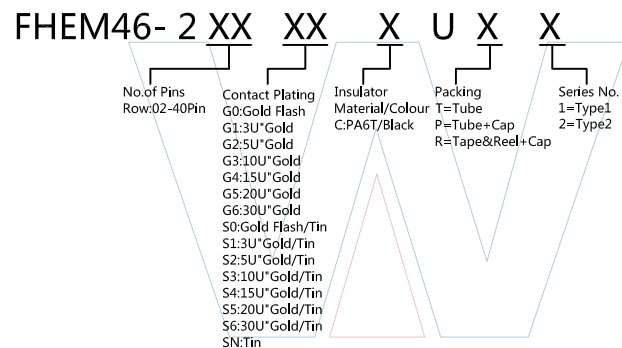




Recommended P.C.B Layout(TOP Side)
(PCB BOARD TOLERANCE±0.05)



PART NUMBER CODING



NOTES:
Current Rating:2.0AMP
Contact Resistance:20mΩ Max
Insulation Resistance:1000MΩ Min
Withstand Voltage:500V AC/Minute
Operation Temperature:-55°C to +125°C

Contact Material:Phosphor Bronze
Contact Plating:Au over Ni
Insulator Material:Polyester (UL94V-0)
Standard:PA6T+30%GF Black

UNLESS OTHERWISE SPECIFIED DIMENSIONS ARE IN METRIC
TOLERANCES ARE:
DECIMALS Angle
X.X:±0.40 ± 3°
X.XX:±0.25
X.XXX:±0.15
SCALE 1:1
UNIT MM
PROJ.
SHEET

A0	2015/06/25	NEW	Huan.Tan	Huan.Tan	
REV	DATE	MODIFICATION DESCRIPTIO	DRAW	CHANGE	APPROVE

PART NO: FHEM46-2XXXXUXX
TITLE: FH2.00mm Dual Female SMT H=4.6mm