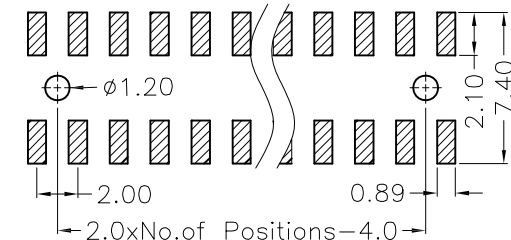
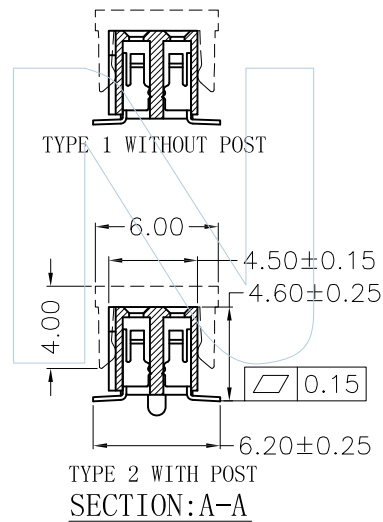
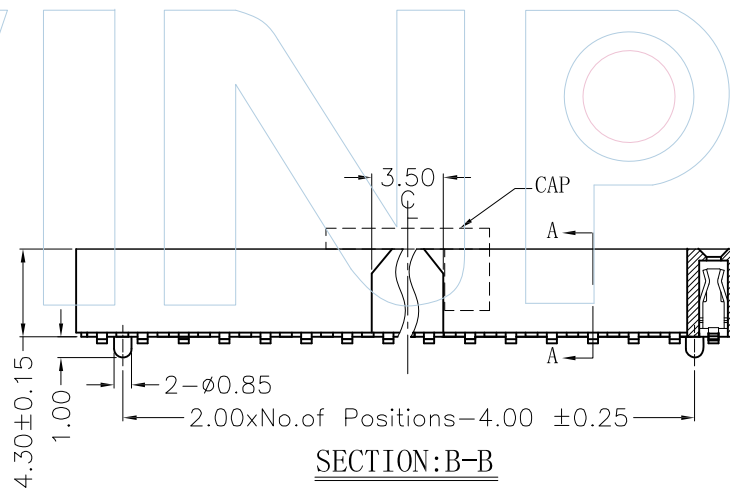
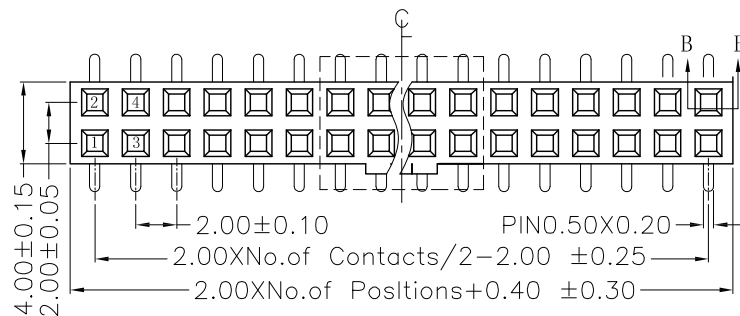
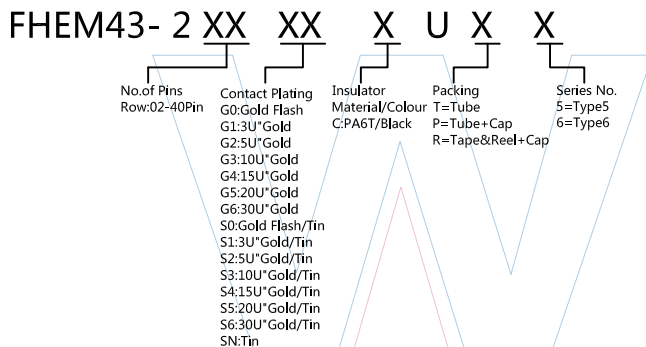




Recommended P.C.B Layout(TOP Side)
(PCB BOARD TOLERANCE±0.05)



PART NUMBER CODING



Tel: +86 769 82581808 FAX: +86 769 81766192
E-Mail: winpin@win-pin.com Http: www.win-pin.com

PART NO: FHEM43-2XXXXXUX5

TITLE: FH2.00mm Dual Female H=4.3mm SMT 塑宽W=4.0 With Stop

NOTES:
Current Rating: 2.0AMP
Contact Resistance: 20mΩ Max
Insulation Resistance: 1000MΩ Min
Withstand Voltage: 500V AC/Minute
Operation Temperature: -55°C to +125°C

Contact Material: Phosphor Bronze
Contact Plating: Au over Ni
Insulator Material: Polyester (UL94V-0)
Standard: PA6T+30%GF Black

UNLESS OTHERWISE SPECIFIED DIMENSIONS ARE IN METRIC TOLERANCES ARE:
DECIMALS Angle
X.X: ±0.40 ± 3°
X.XX: ±0.25
X.XXX: ±0.15

SCALE 1:1
UNIT MM
PROJ.
SHEET

A0	2015/06/25	NEW	Huan.Tan	Huan.Tan
REV	DATE	MODIFICATION DESCRIPTIO	DRAW	CHANGE
				APPROVE