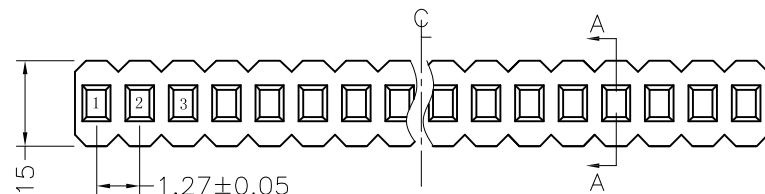
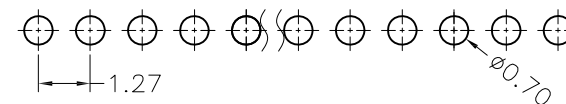




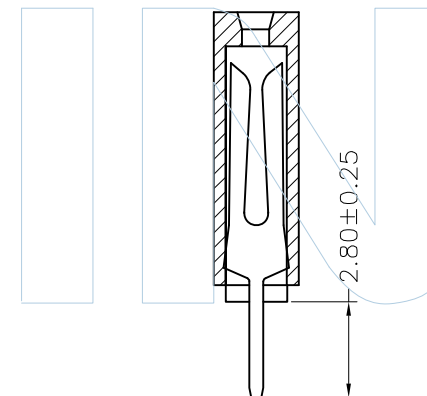
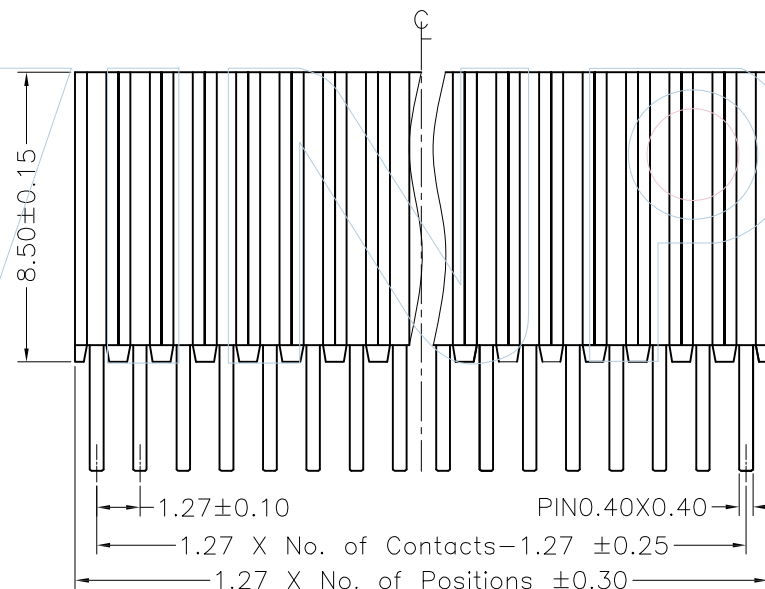
Recommended P.C.B Layout(Top Side)
(PCB BOARD TOLERANCE±0.05)



PART NUMBER CODING

FHDS85- 1 XX XX X Y X 1

- No. of Pins Row:02-50Pin
- Contact Plating
G0:Gold Flash
G1:30U*Gold
G2:50U*Gold
G3:100U*Gold
G4:150U*Gold
G5:200U*Gold
G6:300U*Gold
S0:Gold Flash/Tin
S1:30U*Gold/Tin
S2:50U*Gold/Tin
S3:100U*Gold/Tin
S4:150U*Gold/Tin
S5:200U*Gold/Tin
S6:300U*Gold/Tin
SN:Tin
- Insulator Material/Colour
C:PA6T/Black
- Packing
T=Tube



SECTION: A-A



Tel:+86 769 82581808 FAX:+86 769 81766192
E-Mail:winpin@win-pin.com Http://www.win-pin.com

PART NO: FHDS85-1XXXXXX1
TITLE: FH1.27*2.54mm Single Female SMT H=8.5mm

NOTES:
Current Rating:1.0AMP
Contact Resistance:20mΩ Max
Insulation Resistance:1000MΩ Min
Withstand Voltage:500V AC/Minute
Operation Temperature:-55°C to +125°C

Contact Material:Phosphor Bronze
Contact Plating:Au over Ni
Insulator Material:Polyester (UL94V-0)
Standard:PA6T+30%GF Black

UNLESS OTHERWISE SPECIFIED DIMENSIONS ARE IN METRIC
TOLERANCES ARE:
DECIMALS Angle
X.X:±0.40 ± 3°
X.XX:±0.25
X.XXX:±0.15
SCALE 1:1
UNIT MM
PROJ.
SHEET

A0	2015/06/25	NEW	Huan.Tan	Huan.Tan
REV	DATE	MODIFICATION DESCRIPTIO	DRAW	CHANGE APPROVE