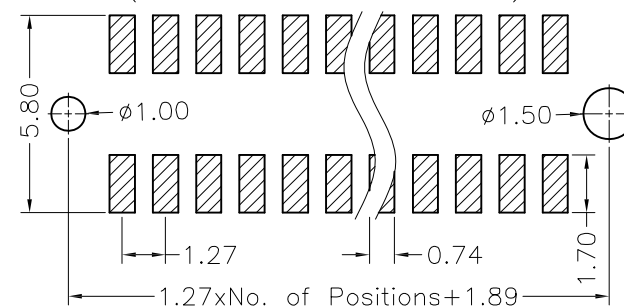


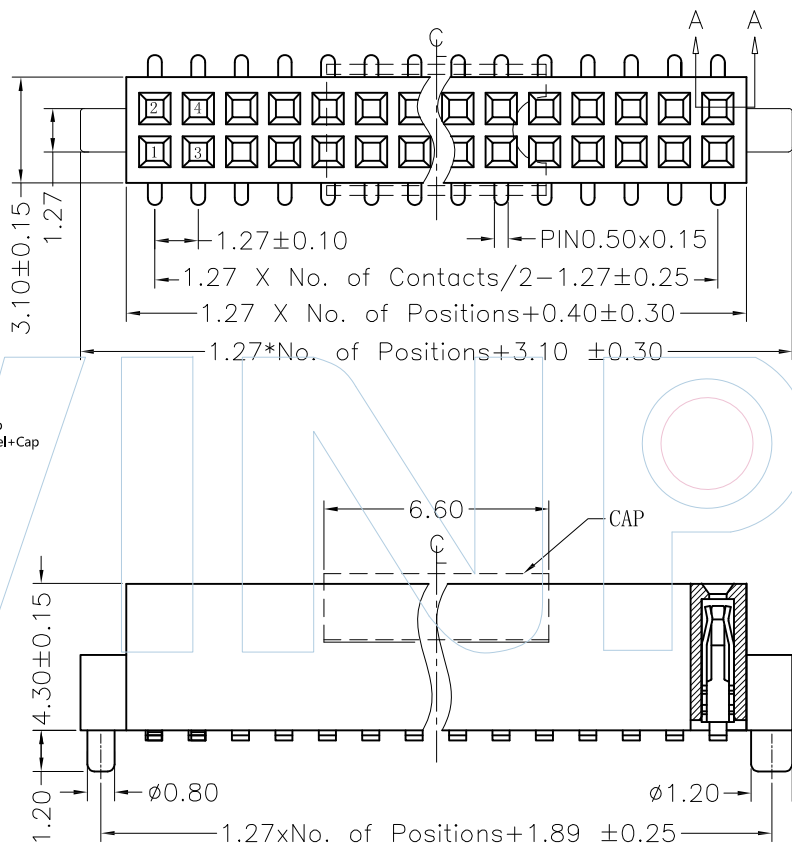


Recommended P.C.B Layout(Top Side)
(PCB BOARD TOLERANCE±0.05)

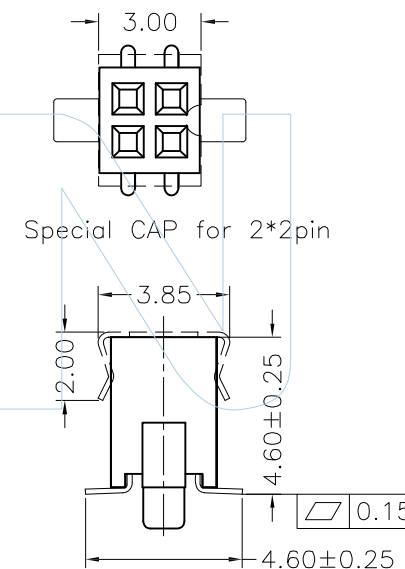


PART NUMBER CODING
FHCM44- 2 XX XX X U X 3

- No. of Pins Row: 02-50 Pin
- Contact Plating
G0: Gold Flash
G1: 3U" Gold
G2: 5U" Gold
G3: 10U" Gold
G4: 15U" Gold
G5: 20U" Gold
G6: 30U" Gold
S0: Gold Flash/Tin
S1: 3U" Gold/Tin
S2: 5U" Gold/Tin
S3: 10U" Gold/Tin
S4: 15U" Gold/Tin
S5: 20U" Gold/Tin
S6: 30U" Gold/Tin
SN: Tin
- Insulator Material/Colour
C: PA6T/Black
- Packing
T=Tube
P=Tube+Cap
R=Tape&Reel+Cap



SECTION A-A



Tel: +86 769 82581808 FAX: +86 769 81766192
E-Mail: winpin@win-pin.com Http: www.win-pin.com

PART NO: FHCM44-2XXXXXU3

TITLE: FH1.27mm Dual Female SMT H=4.30mm With Different Post

NOTES:
Current Rating: 1.0AMP
Contact Resistance: 20mΩ Max
Insulation Resistance: 1000MΩ Min
Withstand Voltage: 500V AC/Minute
Operation Temperature: -55°C to +125°C

Contact Material: Phosphor Bronze
Contact Plating: Au over Ni
Insulator Material: Polyester (UL94V-0)
Standard: PA6T+30%GF Black

UNLESS OTHERWISE SPECIFIED DIMENSIONS ARE IN METRIC TOLERANCES ARE:
DECIMALS Angle
X.X: ±0.40 ± 3°
X.XX: ±0.25
X.XXX: ±0.15

SCALE	1:1
UNIT	MM
PROJ.	
SHEET	

A0	2015/06/25	NEW	Huan.Tan		Huan.Tan
REV	DATE	MODIFICATION DESCRIPTIO	DRAW	CHANGE	APPROVE