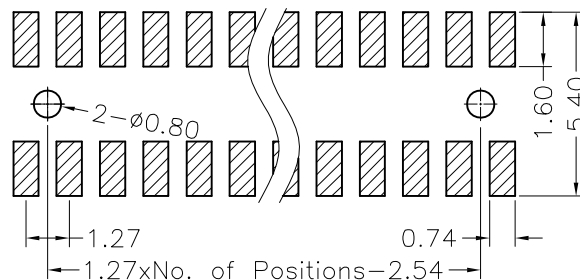
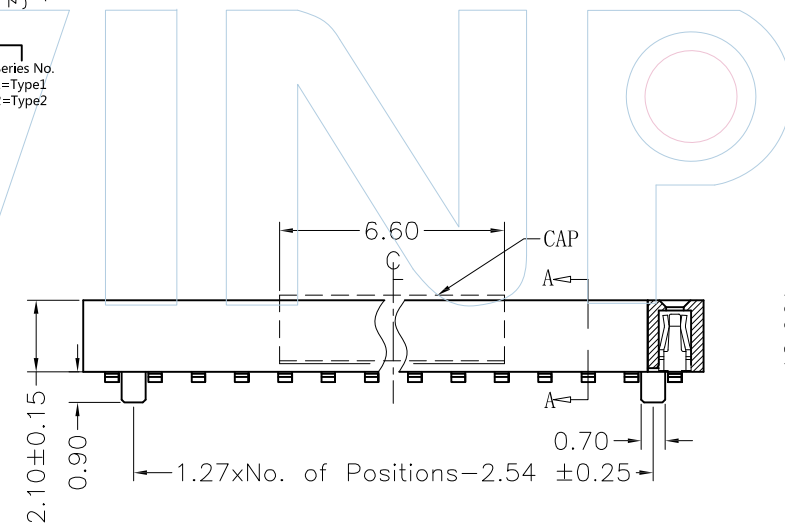
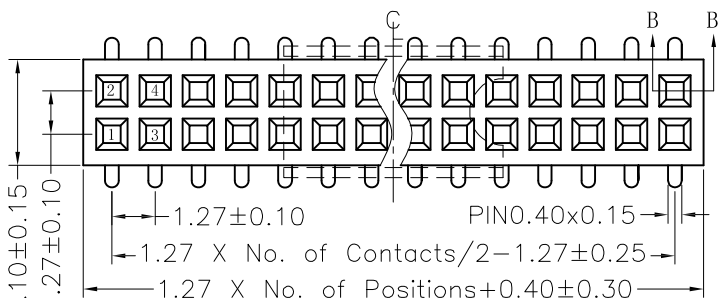
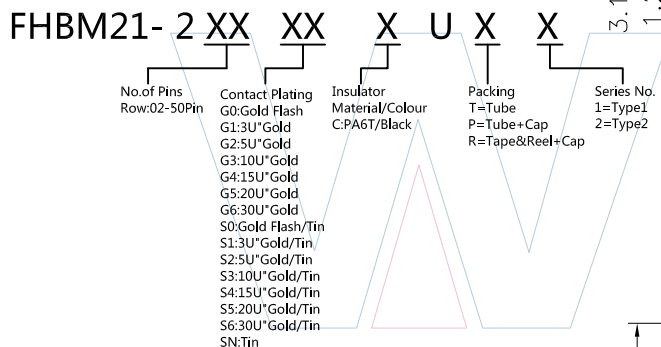




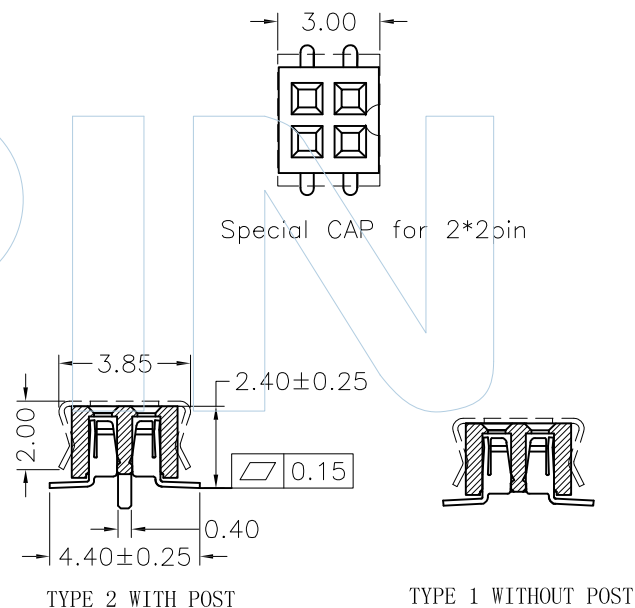
Recommended P.C.B Layout(Top Side)
(PCB BOARD TOLERANCE±0.05)



PART NUMBER CODING



SECTION: B-B



SECTION: A-A



Tel: +86 769 82581808 FAX: +86 769 81766192
E-Mail: winpin@win-pin.com Http: www.win-pin.com

PART NO: FHBM21-2XXXXXUX

TITLE: FH1.27mmDual Female Header SMT H=2.10mm

NOTES:
Current Rating:1.0AMP
Contact Resistance:20mΩ Max
Insulation Resistance:1000MΩ Min
Withstand Voltage:500V AC/Minute
Operation Temperature:-55°C to +125°C

Contact Material:Phosphor Bronze
Contact Plating:Au over Ni
Insulator Material:Polyester (UL94V-0)
Standard:PA6T+30%GF Black

UNLESS OTHERWISE SPECIFIED DIMENSIONS ARE IN METRIC TOLERANCES ARE:
DECIMALS Angle
X.X:±0.40 ± 3°
X.XX:±0.25
X.XXX:±0.15

SCALE 1:1
UNIT MM
PROJ.
SHEET

A0	2015/06/25	NEW	Huan.Tan	Huan.Tan
REV	DATE	MODIFICATION DESCRIPTIO	DRAW	CHANGE APPROVE