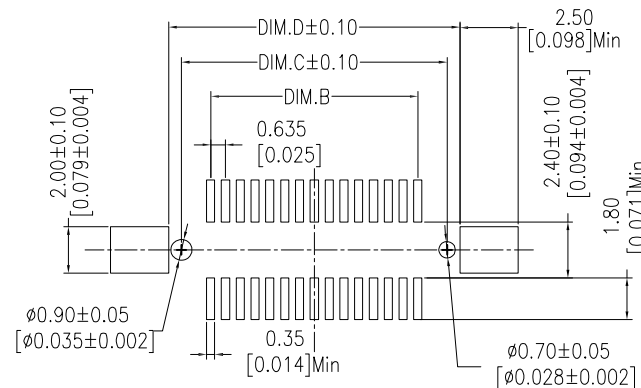
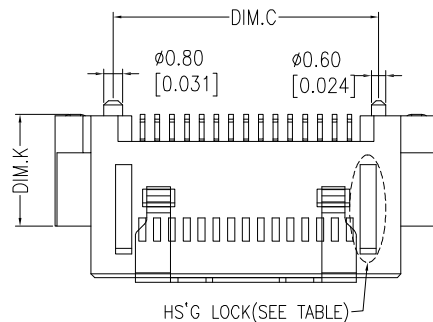




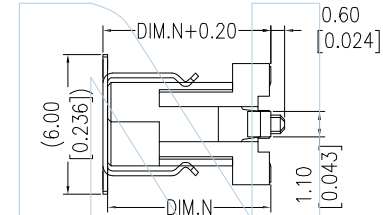
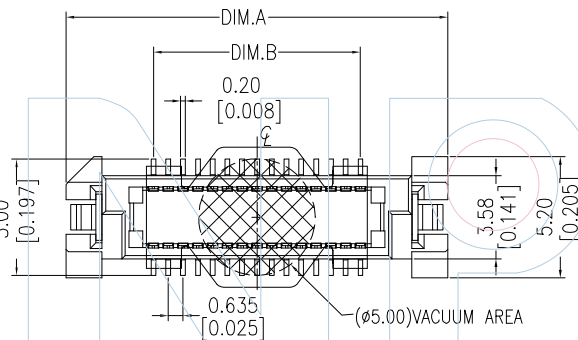
Recommended P.C.B Layout (Top Side)
(PCB BOARD TOLERANCE+0.05)



PART NUMBER CODING

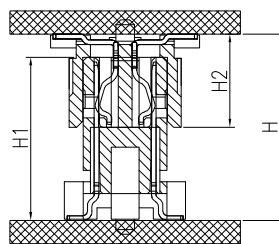
BTB01 M XXX-XXX XX X X 1

M:Male
Housing High
No.of Pins
Contact Plating
G1=3u"Gold
G2=5u"Gold
S1=3u"Gold/Tin
S2=5u"Gold/Tin
Insulator Material/Colour
C:Natural
Packing
T:Tube+CAP
R:Tape&Reel+CAP



PART NO.	DIM.N	DIM.K
BTB01M050-XXXXXXXX1	5.00	2.80
BTB01M060-XXXXXXXX1	6.00	3.80
BTB01M070-XXXXXXXX1	7.00	4.80
BTB01M080-XXXXXXXX1	8.00	5.80
BTB01M090-XXXXXXXX1	9.00	6.80

ASS'Y HIGH(H)	PLUG(H1)	SOCKET(H2)
6.00	5.00	
7.00	6.00	
8.00	7.00	4.00
9.00	8.00	
10.00	9.00	
12.00	5.00	
13.00	6.00	
14.00	7.00	10.00
15.00	8.00	
16.00	9.00	



Assembly



Tel:+86 769 82581808 FAX:+86 769 81766192
E-Mail:winpin@win-pin.com Http:www.win-pin.com

PART NO: BTB01MXXX-XXXXXXXX1

TITLE: 0.635mm B TO B "M" TYPE MALE 180°SMT

NOTES:
Current Rating:1.0AMP
Voltage Rating:200V AC/300V DC
Contact Resistance:30mΩ max
Insulation Resistance:100MΩ Min
Operation Temperature:-40°C to +85°C

Housing Material:LCP(UL94V-0)
Contact Material:Phosphor Bronze
Contact plating:Au over Ni Plating
Fitting Nail Material:Brass. T=0.25mm
Fitting Nail plating:Sn Plating Over Ni Under Plating

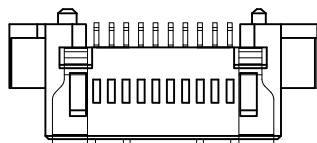
UNLESS OTHERWISE SPECIFIED DIMENSIONS ARE IN METRIC TOLERANCES ARE:
DECIMALS Angle
X.X:±0.40 ± 3°
X.XX:±0.25
X.XXX:±0.15

SCALE 1:1
UNIT MM
PROJ.
SHEET

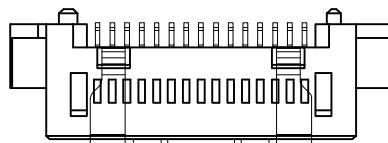
REV	DATE	MODIFICATION DESCRIPTION	DRAW	CHANGE	APPROVE
A0	2015/06/25	NEW	Hua.ZT		Hua.ZT



3660-PXXX-050XXR01

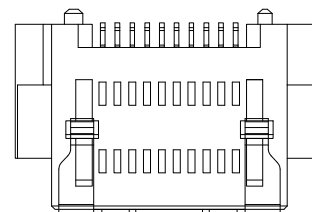


PIN数=20P

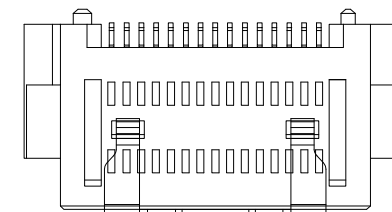


PIN数 ≥ 30P

3660-PXXX-080XXR01

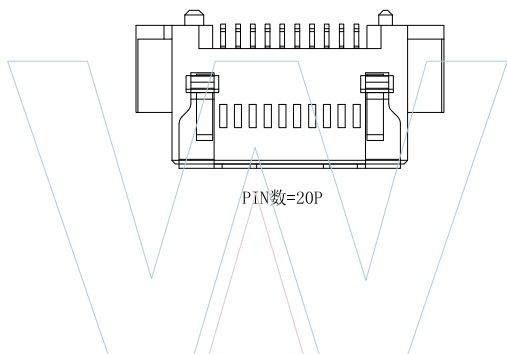


PIN数=20P

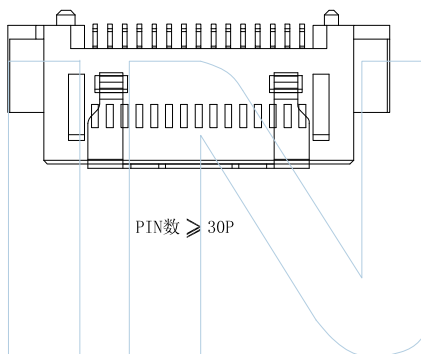


PIN数 ≥ 30P

3660-PXXX-060XXR01

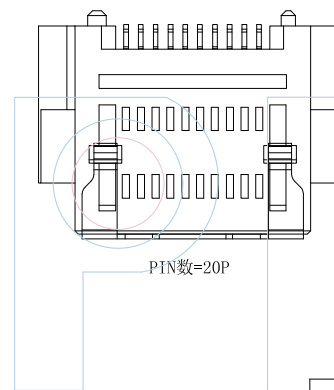


PIN数=20P

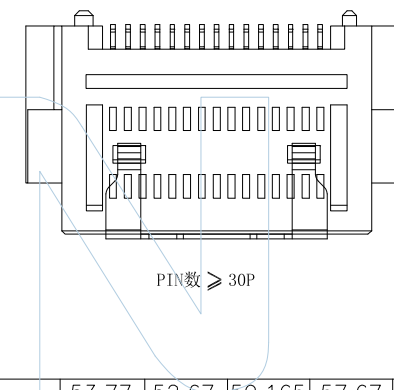


PIN数 ≥ 30P

3660-PXXX-090XXR01

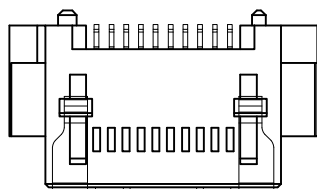


PIN数=20P

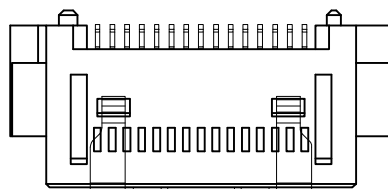


PIN数 ≥ 30P

3660-PXXX-070XXR01



PIN数=20P



PIN数 ≥ 30P

NO	53.77	52.67	50.165	57.67	160	
	47.42	46.32	43.815	51.32	140	
	41.07	39.97	37.465	44.97	120	
	34.72	33.62	31.115	38.62	100	
	31.55	30.45	27.940	35.45	90	
YES	28.37	27.27	24.765	32.27	80	
	25.20	24.10	21.590	29.10	70	
	22.02	20.92	18.415	25.92	60	
	18.85	17.75	15.240	22.75	50	
	15.67	14.57	12.065	19.57	40	
	12.50	11.40	8.890	16.40	30	
	9.32	8.22	5.715	13.22	20	
	HS'G LOCK	DIM.D	DIM.C	DIM.B	DIM.A	PIN NO



Tel: +86 769 82581808 FAX: +86 769 81766192
E-Mail: winpin@win-pin.com Http: www.win-pin.com

PART NO: BTB01MXXX-XXXXXXX1

TITLE: 0.635mm B TO B "M" TYPE MALE 180°SMT

NOTES:
Current Rating: 1.0AMP
Voltage Rating: 200V AC/300V DC
Contact Resistance: 30mΩ max
Insulation Resistance: 100MΩ Min
Operation Temperature: -40°C to +85°C

Housing Material: LCP(UL94V-0)
Contact Material: Phosphor Bronze
Contact plating: Au over Ni Plating
Fitting Nail Material: Brass, T=0.25mm
Fitting Nail plating: Sn Plating Over Ni Under Plating

UNLESS OTHERWISE SPECIFIED DIMENSIONS ARE IN METRIC TOLERANCES ARE:
DECIMALS Angle
X.X: ±0.40 ± 3°
X.XX: ±0.25
X.XXX: ±0.15

SCALE 1:1
UNIT MM
PROJ.
SHEET

A0	2015/06/25	NEW	Hua.ZT	Hua.ZT	
REV	DATE	MODIFICATION DESCRIPTION	DRAW	CHANGE	APPROVE