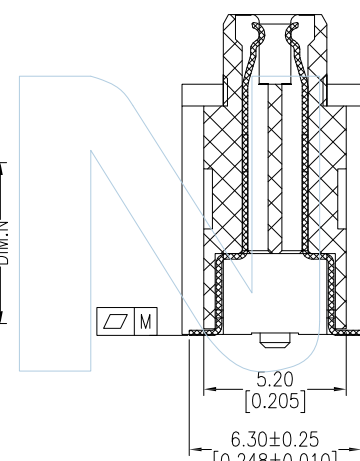
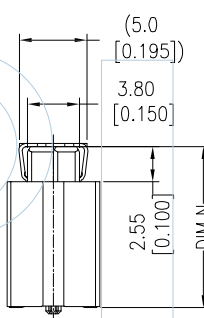
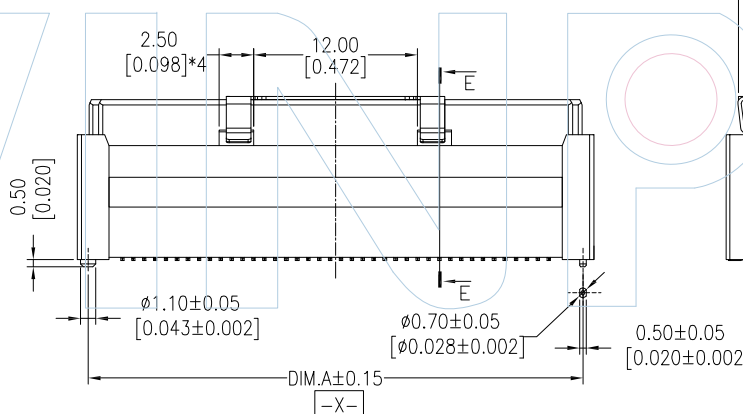


PART NUMBER CODING

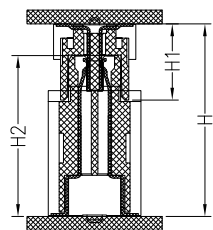
BTC01 F XXX-XXX XX X X 1

F:Female
Housing High Female=H2
No.of Pins
Contact Plating G1=3u"Gold
G2=5u"Gold
S1=3u"Gold/Tin
S2=5u"Gold/Tin
Insulator Material/Colour C:Natural
Packing T:Tube
R:Tape&Reel+CAP



SECTION E-E
SCALE 2:1

79.20	85.80	84.20	200
71.20	77.80	76.20	180
63.20	69.80	68.20	160
55.20	61.80	60.20	140
47.20	53.80	52.20	120
39.20	45.80	44.20	100
31.20	37.80	36.20	80
23.20	29.80	28.20	60
15.20	21.80	20.20	40
DIM.C	DIM.B	DIM.A	PIN NO.



Assembly

ASS'Y HEIGHT (H)	PLUG (H1)	SOCKET (H2)	ASS'Y HEIGHT (H)	PLUG (H1)	SOCKET (H2)	ASS'Y HEIGHT (H)	PLUG (H1)	SOCKET (H2)
5.00	4.60	3.75	9.00	4.60	7.75	13.00	4.60	11.75
6.00	5.60		10.00	5.60		14.00	5.60	
7.00	6.60		11.00	6.60		15.00	6.60	
8.00	7.60		12.00	7.60		16.00	7.60	

PART NO.	DIM.N (FEMALE HEIGHT)
BTC01F037-XXXXXXX1	3.75
BTC01F077-XXXXXXX1	7.75
BTC01F117-XXXXXXX1	11.75



Tel:+86 769 82581808 FAX:+86 769 81766192
E-Mail:winpin@win-pin.com Http:www.win-pin.com

NOTES:
Current Rating:0.5AMP
Voltage Rating:50V AC/DC
Contact Resistance:20mΩ Max
Withstand Voltage:200V AC/DC
Insulation Resistance:100Megohm Min
Operation Temperature:-40°C to +80°C

Housing Material:LCP(UL94V-0),Nature
Contact Material:Phosphor Bronze
Contact plating:Au and Sn over Ni
Cap Material:SUS,t=0.25mm

UNLESS OTHERWISE SPECIFIED DIMENSIONS ARE IN METRIC TOLERANCES ARE:
DECIMALS Angle
X.X:±0.40 ± 3°
X.XX:±0.25
X.XXX:±0.15

PART NO: BTC01FXXX-XXXXXXX1

TITLE: 0.80mm B TO B "T" FEMALE 180°SMT TYPE

SCALE	1:1
UNIT	MM
PROJ.	
SHEET	

A0	2015/06/25	NEW	Hua.ZT		Hua.ZT
REV	DATE	MODIFICATION DESCRIPTIO	DRAW	CHANGE	APPROVE